

FILTERMIST OIL MIST FILTER FX7002



TECHNICAL SPECIFICATION

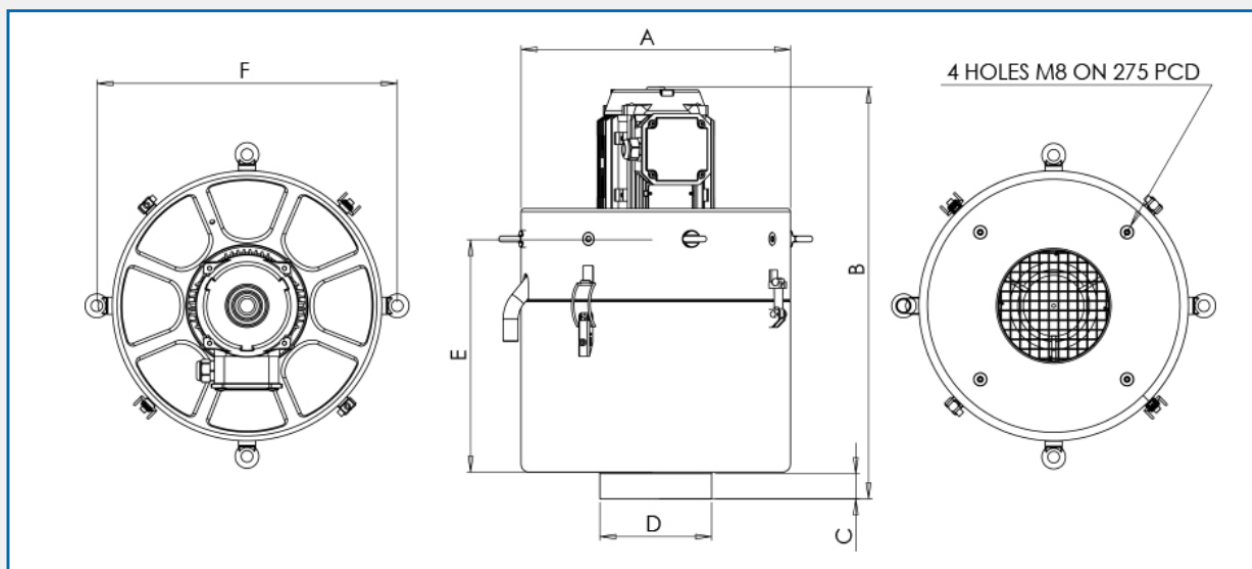
Airflow (m ³ /h)	2750 @ 50Hz
Motor	2.2kW 50Hz 200v, 220v, 380v, 400v
A (mm)	438
B (mm)	638.5
C (mm)	35
D (mm)	198
E (mm)	432
F (mm)	485
Weight	36.8 kg
Noise Level	73 dB(A)

DESCRIPTION

Filtermist FX6002 units efficiently remove oil & coolant mist, fume and steam in a various amount of manufacturing operations around the world.

Can be directly connected to the machining centre or fixed on a stand with easy access for maintenance.

DIMENSIONS



AES OFFER INSTALLATION AND SERVICE SUPPORT FOR ALL EQUIPMENT