

ESTA SRF K-15 W3 MOBILE WELDING FUME FILTER



TECHNICAL SPECIFICATION

Dimensions (LxWxH)	946 x 761 x 1361 mm
Voltage	400 V Three Phase
Motor	2.2 kW
Frequency (Rated)	50 Hz
Filter Surface	18 m ²
Operation Mode	S1
Intake	2 x 140 mm
Max. Negative Pressure	2800 Pa
Max. Airflow	1600 m ³ /h
Weight	74 kg
Protection Category	IP 54

DESCRIPTION

The SRF K series allow Welding and soldering fumes to be filtered at 99.9% efficiency, and then routed back into the work area. Thanks to the high air volume flow even larger clouds of fumes can be easily extracted. The cleanable permanent filter cartridges ensure low operating costs in the long term. The more powerful version SRF K-15 comes into its own when there are large amounts of smoke and when extraction is required at two workstations simultaneously.

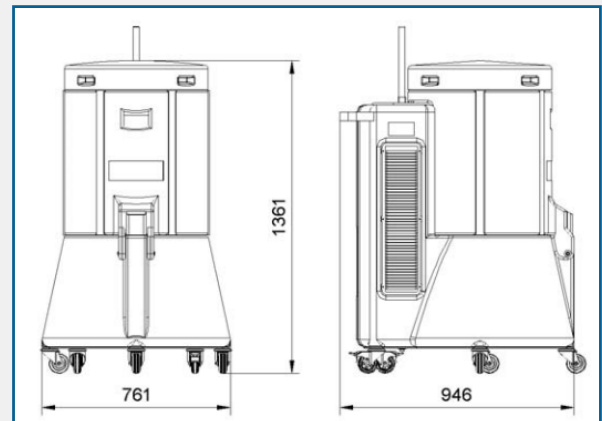
FEATURES

- High performance smoke capture at 2 locations
- Mobile for versatile use and suitable for continuous duty applications
- Compact and user friendly design
- Low operating costs through cleanable cartridge filters
- Easy disposal of the collected dust
- BIA Test Certificate W3

CHARACTERISTICS

- Powerful weld fume extraction (also extraction of fume from high alloy steel welding) at 2 points.
- Filter cleaning with compressed air gun (manually) or fully automatic
- Cleanable long life cartridge filters (Dust classification M)
- Optional Activated carbon filter, optional soldering extraction.
- Options: Special voltages, start-up electric arc recognition, air vents.

DIMENSIONS



APPLICATION RANGE

- Intermittent and continuous duty operation
- Extraction of welding fumes
- Modified versions available with special Equipment: automatic cleaning, manual rotating cleaning, special voltage, automatic attempt via optical sensor, attempt via start and stop contractor at the extraction cap or at the extraction arm, AC motor, active carbon filter, exhaust air connection, automatic attempt via clamp forceps possible.

PART CODE/ORDERING TABLE

ESTA SRF K-15 W3	DF-MF15-301
------------------	-------------

AES OFFER INSTALLATION AND SERVICE SUPPORT FOR ALL EQUIPMENT