

## NEDERMAN BENCHTOP EXTRACTION KIT 2000/2500



**Benchtop Extraction Kit 2000**



**Benchtop Extraction Kit 2500**

### TECHNICAL SPECIFICATION

Kit	Number of Arm	Max. Airflow m <sup>3</sup> /h	Voltage	Frequency Hz	Power W	Hose Ø mm	Hose Length M	Air Temp. °C	Weight kg
2000	1	100	200-240 V	50/60	170	75	3.0	-10 to + 70°C	14
2500	2	75	200-240 V	50/60	170	75	3.0	-10 to + 70°C	17

### DESCRIPTION

The Benchtop Extraction Kits include arm(s) with hood or nozzle, fan with speed control and standard filter (particle, HEPA or gas), hose, connection details, and table bracket. The speed of the fan is variably controlled by a speed controller. Complete with hoses and extraction hoods. The hood is made of clear plastic, which increases the visibility.

### KIT COMPOSITION

#### Extraction Kit 2000

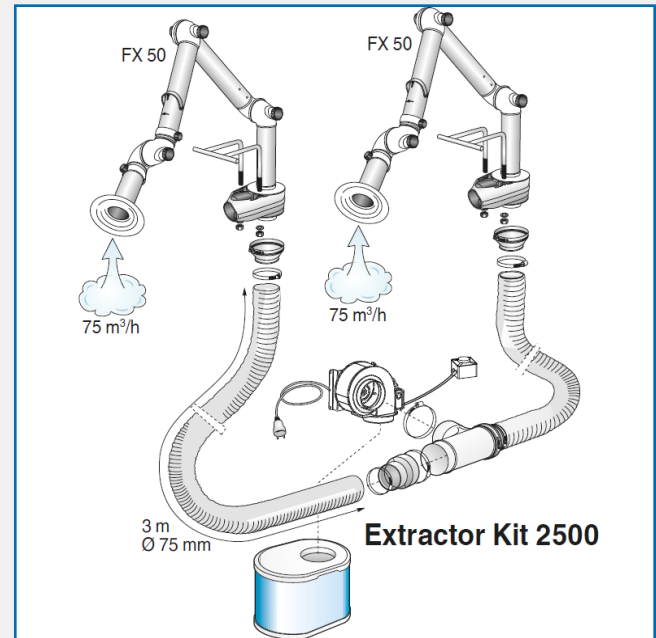
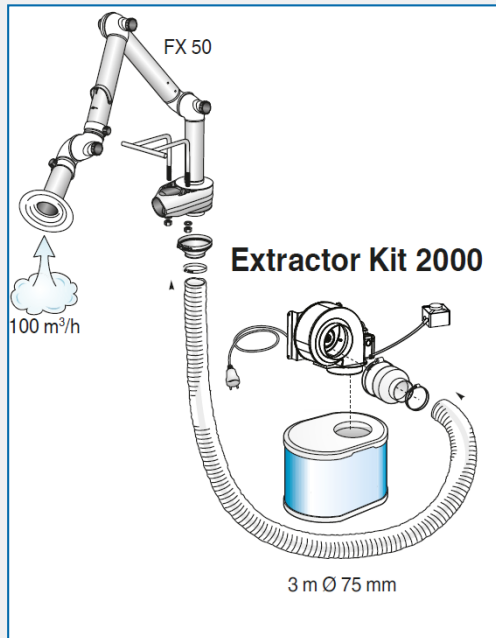
- 1 x FX2 50 Arm
- Arm Length: 3 m
- Hose: Ø50 mm
- Max Airflow: 100 m<sup>3</sup>/h
- 1 Combination Hood
- Part Code: 70508244

#### Extraction Kit 2500

- 2 x FX2 50 Arms
- Arms Length: 3 m
- Hose: Ø50 mm
- Max Airflow: 75 m<sup>3</sup>/h
- 2 x Mini Hood
- Part Code: 70508344

AES OFFER INSTALLATION AND SERVICE SUPPORT FOR ALL EQUIPMENT

# NEDERMAN BENCHTOP EXTRACTION KIT 2000/2500



Part Number	Quantity	Description
70311427*	1	N3 filter standard
70801034**	1	N3 fan EC speed control 240 V
70600644	1	FX2 50 mm x 1100 mm Down Low
70501444	1	Table connection kit
70345401	1	Reducer 125/75 mm white
70377098	1	Hose Ø75 grey 3 m
70500144	1	Hood kit - Combi orig

Part Number	Quantity	Description
70311427*	1	N3 filter standard
70801034**	1	N3 fan EC speed control 240 V
70600644	2	FX2 50 mm x 1100 mm Down Low
70501444	2	Table connection kit
70377098	2	Hose Ø75 grey 3 m
14500826	1	Double adap. Ø125 mm / 2 x 75 mm

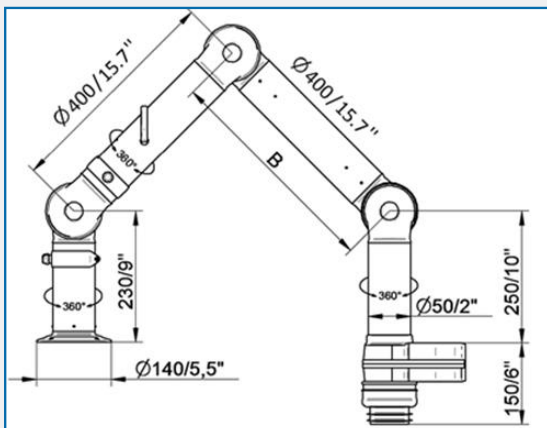
\* Carbon Filter available - part. 70312427.

\*\* 110 V Fan available - part. 70802034.

\* Carbon Filter available - part. 70312427.

\*\* 110 V Fan available - part. 70802034.

## ARM DIMENSIONS - EK 2000/2500



## Fan Speed Control



## N3 Carbon Filter



AES OFFER INSTALLATION AND SERVICE SUPPORT FOR ALL EQUIPMENT