

# ON/OFF-Switch

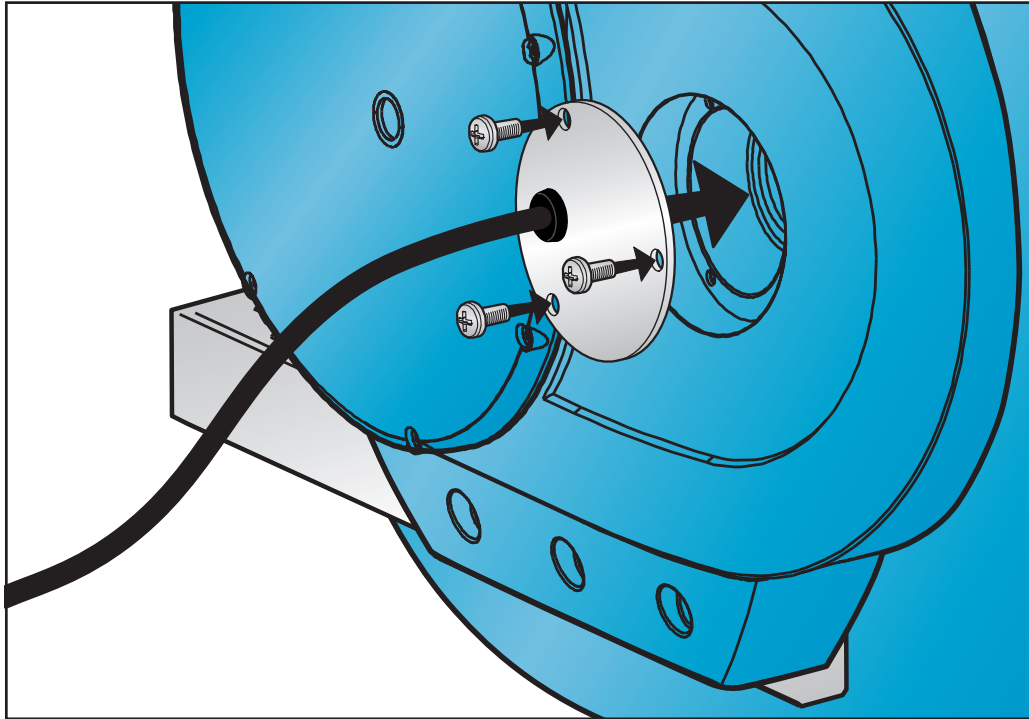
for Spring Operated Exhaust Hose Reel

# Nederman

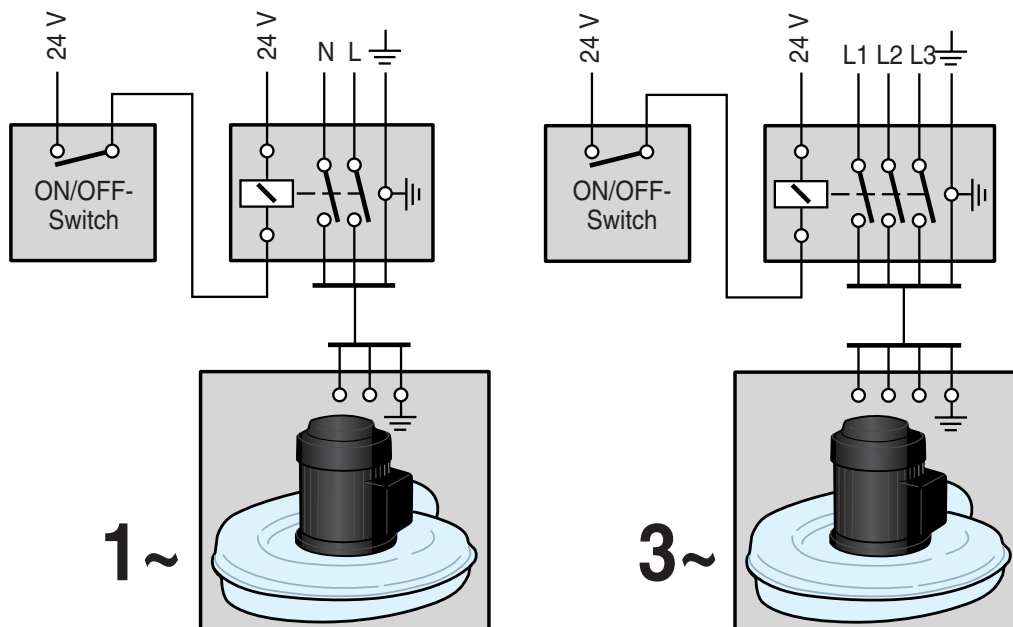
IMPROVING YOUR WORKSPACE

No. 148544/02

## Mounting and Electrical Instruction



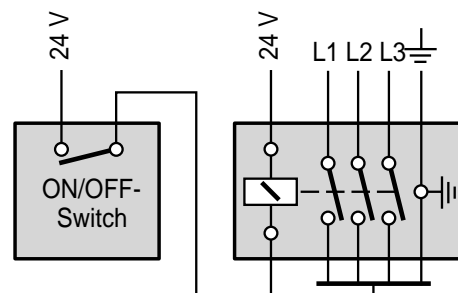
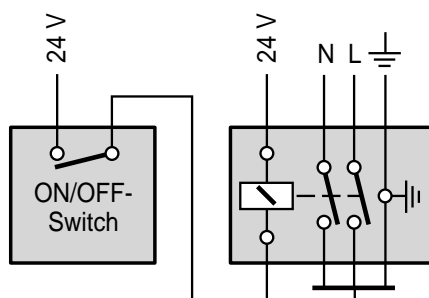
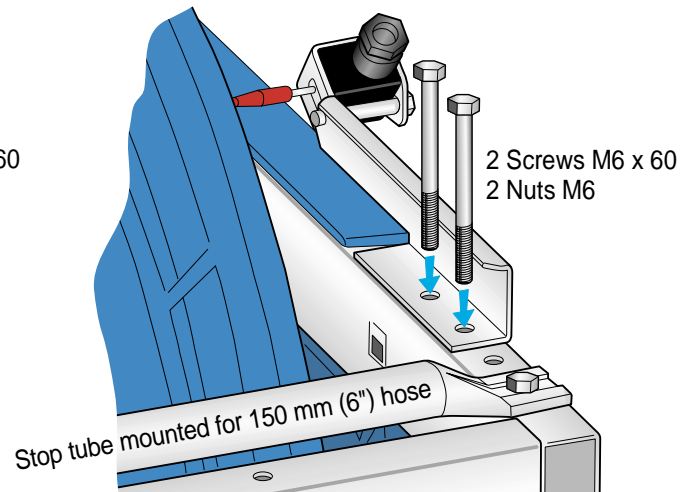
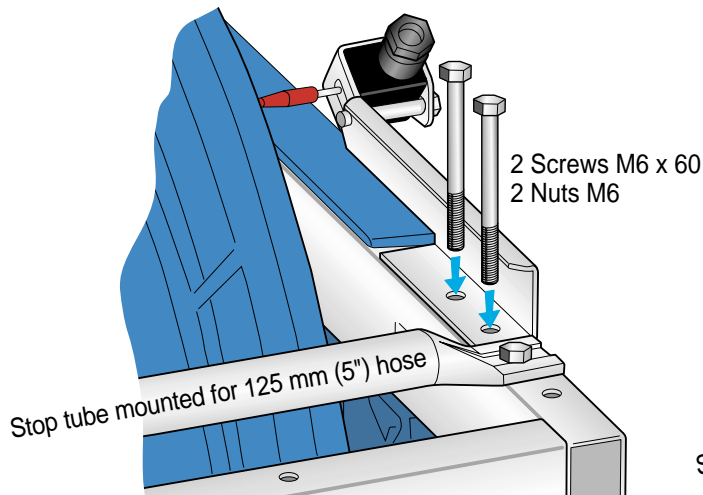
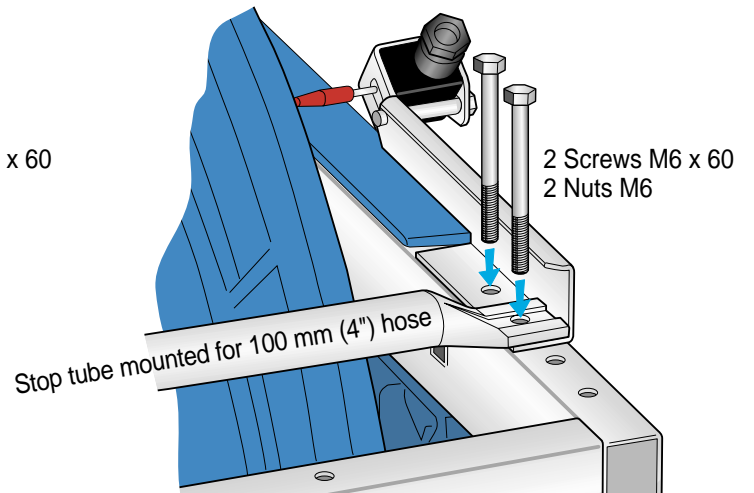
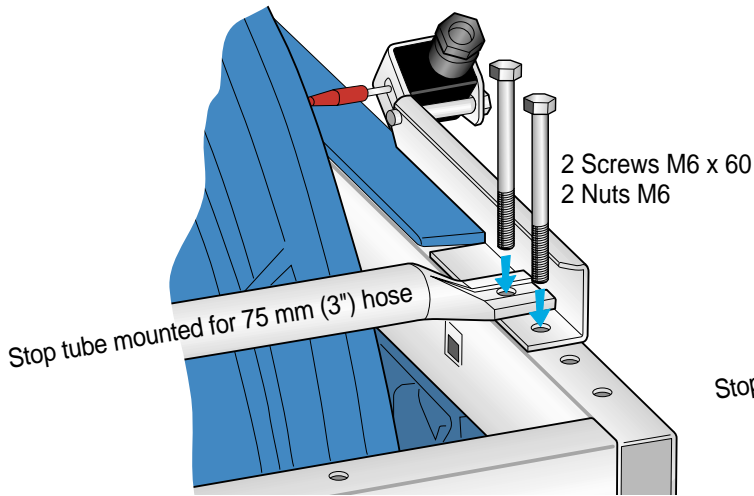
Electrical installation should be done by a qualified electrician according to local regulations.



# Mounting Instruction

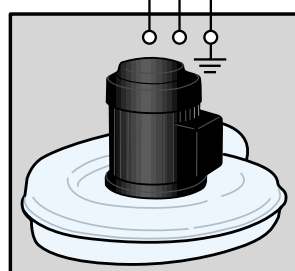
## ON/OFF-Switch for Spring Operated Exhaust Hose Reel

No. 148496/00



Electrical installation should be done by a qualified electrician according to local regulations.

1~



3~

