

## NEDERMAN HOSE REEL 886 ACID RESISTANT ATEX



### DESCRIPTION

In very aggressive environments such as offshore production with a high salt content in the air, or in swimming pools and baths with a high chlorine content, or in other applications with aggressive substances, there may be a risk of corrosion with normal stainless steel (ASI 304 - SS 2333).

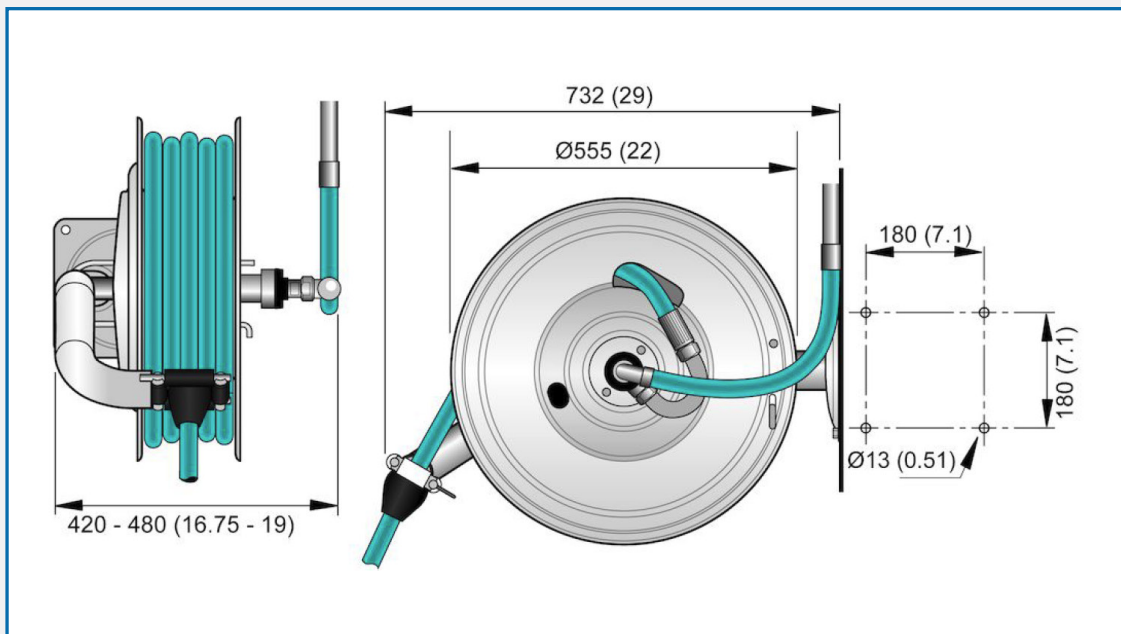
For this type of application, Nederman offers a Series 8886 EX as shown above, but will all exposed components made of acid-resistant stainless steel, (AISI 316 - SS 2343) and chemically resistant composite.

Approved for installation in ATEX zones 1, 2, 21, and 22 in accordance with ATEX 2014/34/EC.

Equipment category 2GD, gas group IIB.



### DIMENSIONS DRAWING



### HOSE SPECIFICATION

Type of hose	Media	Distribution hose length (m)	Diameter, connection hose (mm)	Distribution hose diameter (mm)	Max working pressure (Mpa)	No.
M	Compressed air, water	25	10	10	2	1
M	Compressed air, water	25	12,5	12,5	2	2
M	Compressed air, water	15	19	19	2	3

AES OFFER INSTALLATION AND SERVICE SUPPORT FOR ALL EQUIPMENT

## NEDERMAN HOSE REEL 886 ACID RESISTANT ATEX

No.	Part Code
1	30806086
2	30806286
3	30806486

### ADDITIONAL PICTURE



### TECHNICAL SPECIFICATION

Product Name	Hose Reel 886 Acid-resistant EX
Connection hose length (m)	1
Delivered with hose	Yes
Colour	Stainless
Weight (kg)	31
Corrosion resistance	(Acid Proof)
Electric/Spring driven	(Spring)

### HOSE TYPE

Hose type	Specification	Temperature range, °C	Hose fitting on free hose end, inlet hose	Hose connection on reel, distribution hose	Hose connection on reel, inlet hose
M	Cover in CR and inner tube in NBR. Synthetic textile braid. Electrically conductive.	-30 - 80	Female 60° cone, stainless steel	Male 60° cone	Male 60° cone

AES OFFER INSTALLATION AND SERVICE SUPPORT FOR ALL EQUIPMENT