

NEDERMAN DATA CABLE REEL D20



TECHNICAL SPECIFICATION

| | |
|--------------------------|----------------------------|
| Material | Impact resistant composite |
| Media | (dataethernet) |
| Colour | Grey |
| Weight | 4.8 kg |
| Distribution cable, type | Cat7, Black |
| Note | Max speed 1 GB |
| Corrosion resistance | Standard |
| Electric/Spring driven | Spring |

DESCRIPTION

A reliable network connection is an essential part of every company's infrastructure. Although a wireless connection is a good complement, for maximum speed, stability and security, a fixed connection is still the best option.

The D20 has been designed to withstand heavy usage in environments such as vehicle workshops, hardware labs, data centers, among others.

FEATURES

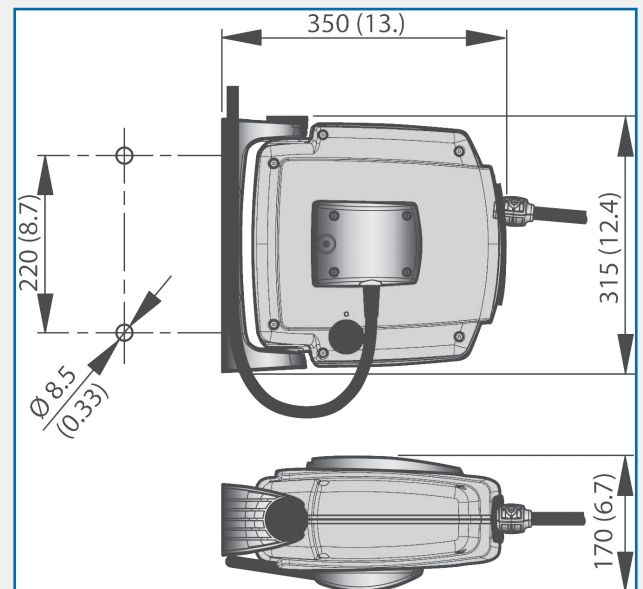
- Durable: made with resistant composite material and high quality components.
- Safe: spring and electronic components properly protected for safe usage and servicing.
- Smart: designed for easy connection of cables.
- Stable: Cat7 ethernet cables gives stability to data transfer.
- Certified: according to Industrial Cable Reel Directive SS-EN61316.

PART CODE/ORDERING TABLE

| Item | Part Code |
|--------------------------------|-----------|
| Data Cable Reel D20 - NO CABLE | 30709020 |
| Data Cable Reel D20 - 12 m | 30708020* |

*Max speed 1 GB

DIMENSIONS



DATA CABLE REEL - CLOSE UP



AES OFFER INSTALLATION AND SERVICE SUPPORT FOR ALL EQUIPMENT