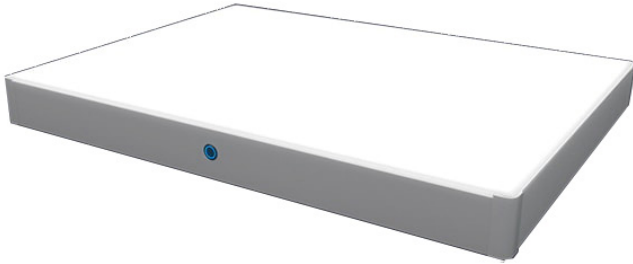


ORCHARD BEAM BOX LED LIGHT BOX



FEATURES

- Rear-lit LED
- Brightness Control
- A0 - A4 sizes
- Low Energy
- 5500k Pure White

OPTIONS

- Glass Screen
- Battery Pack
- RGBW Colour Control

APPLICATIONS

- Quality Control
- Art & Design
- Tracing
- Photography

TECHNICAL SPECIFICATION

Sizes	A0	A1	A2	A3	A4
Working Area	1220 x 800 mm	860 x 620 mm	620 x 440 mm	440 x 330 mm	330 x 230 mm
Switch	Stainless touch sensitive & illuminated				
Dimming	Stepless brightness control 10-100%				
Total Light Power	17,850 lumens	9,010 lumens	4,638 lumens	2,468 lumens	1,292 lumens
Brightness @ screen	17,000 LUX				
Screen	Toughened Glass	Acrylic Screen	Acrylic Screen	Acrylic Screen	Acrylic Screen
Light Source	Rear-lit LED				
Light Output	5500K Day-light white				
LED life-span	50,000 hour				
Power Supply	24V Mains power supply included				
Power Usage	6 Amp	3.6 Amp	1.8 Amp	0.9 Amp	0.45 Amp
Ingress Protection	IP67 switch rating				
Switch Illumination	Blue switch ring				
Weight	-	7.8 kg	-	-	-

DESCRIPTION

From creative to scientific; the BeamBox is used in all areas of industry and design. With an elegant, modern and practical design, this backlit lightbox is available in almost any size and allows you to work on a super bright, seamlessly illuminate work surface.

SUPERIOR LED POWER

The BeamBox is the first light box to take advantage of LED lights, bringing them together in a refined, modern design.

REAR/BACKLIT

Providing effective light distribution as the distance between the bulb and the screen is much more consistent with a backlit LED.

This also removes banding and reduces the need to mask any areas of the bulbs as was often the case on fluorescent tube boxes. In addition, LED's direct their light output only in the direction it is intended eliminating the need for reflectors or clever diffusion.

AES OFFER INSTALLATION AND SERVICE SUPPORT FOR ALL EQUIPMENT

ORCHARD BEAM BOX LED LIGHT BOX

LONGEVITY

With an incredible 50,000 hour lifespan they really are designed to last. Also, unlike fluorescent or incandescent light bulbs, LED bulbs don't necessarily just stop working after a period of time. The 50,000 hour rating guarantees the brightness and colour of the light to be the same as when it left the factory.

ENERGY EFFICIENT

They use significantly less energy compared to old light tubes. The physical process of how an LED functions is substantially different and produces a much lower heat output therefore using far less energy.

PORTABLE POWER SUPPLY - A2, A3 & A4

Take your light box anywhere with the super portable Gorilla power supply which can be used as a battery pack for almost any electronic device.



Light Box	Battery Life
A2 Beam Box	2 hours*
A3 Beam Box	4 hours*
A4 Beam Box	8 hours*

*tested on maximum brightness at ambient room temperature.

RGBW COLOUR BEAM



The BeamBox is available with an RGBW option. Use your smartphone or remote control to precisely set the required background hue and brightness.

Please contact us if you want to discuss the exact functionality of this option.



SPLASH RESISTANT IP64

The unparalleled lifespan which the LED lights provide has allowed us the opportunity to bring new thinking into the design of the BeamBox.

With no need to give ready access to the lights, it allowed Orchard to create a sealed unit - protected against dust and splashes. Access to the inside of the box does still remain possible if necessary.

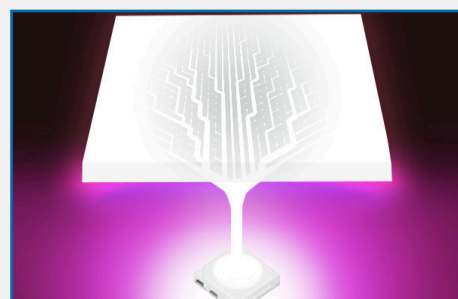
This feature has proven popular with creatives' and scientists alike, offering an element of protection against the steady stream of hot beverages which often comes with the territory.

HIGH TECH SCREEN

Optimised for LED.

The acrylic diffuser is cutting edge technology designed to distribute the light more evenly than anything before whilst maintaining maximum transmission.

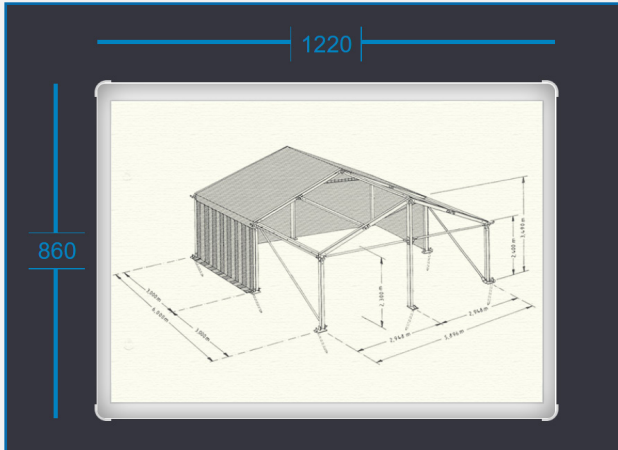
It has been optimised specifically for LED light and makes a significant difference to brightness and consistency.



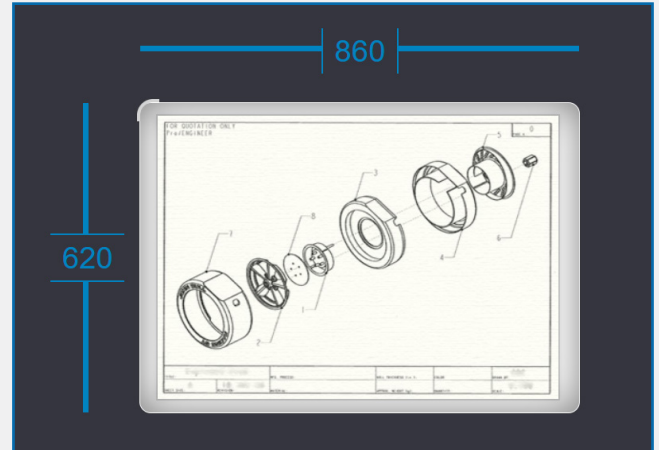
AES OFFER INSTALLATION AND SERVICE SUPPORT FOR ALL EQUIPMENT

ORCHARD BEAM BOX LED LIGHT BOX

SIZE DETAILS



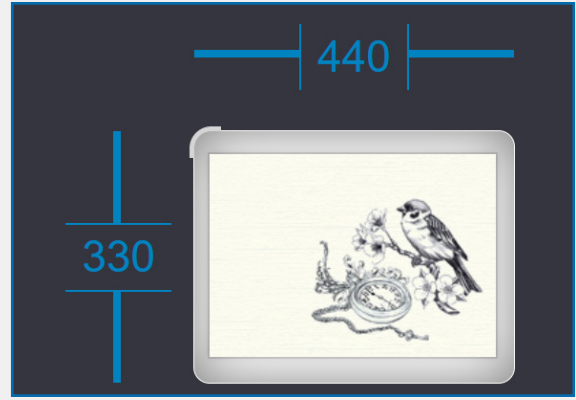
A0
A0 Paper is one of the largest commonly used formats at 1189 x 841 mm. This A0 Beam light box surface provides a comfortable working area for the paper whilst also providing a generous work space for large quality control or inspection tasks.



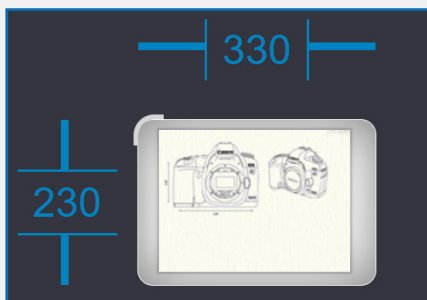
A1
Widely used by professional and students, A1 paper is an industry standard for architectural drawings and design. With a paper size of 841 x 594 mm the A1 Beam light box provides plenty of space to work whilst being practical transport and store.



A2
A2 paper measures in at 594 x 420 mm and is most commonly used by student designers due to its portability. A2 Beam light boxes are a great size for quality control and inspection applications due to their practical size, consistent working surface and low heat output.



A3
The perfect size for small scale Q.C or inspection in manufacturing industries. Capable of taking up to A3 paper (420 x 297 mm) Beam light boxes are also suitable for hobby designers working in their spare time and students starting out on a design career.



A4
Compact and handy for viewing small components, image slides, stamps or for small scale sketch work. The A4 Beam light box comfortably accepts A4 paper whilst being super portable and light weight.

AES OFFER INSTALLATION AND SERVICE SUPPORT FOR ALL EQUIPMENT