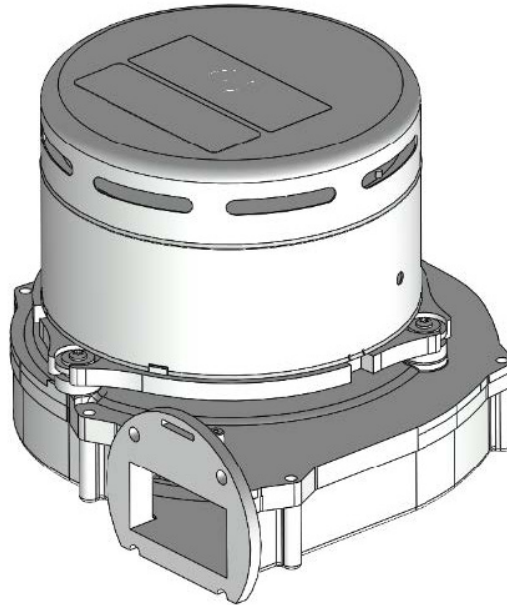


BOFA PUMP UNIVERSAL VOLTAGE



TECHNICAL SPECIFICATION

Type	Centrifugal Pump
Dimensions (mm)	135 H x 190 W x 200 D approx.
Description of part	Multi Voltage Pump
Voltage/Power	100-240 V AC 1 kW
Weight	Approximately 2.5 kgs

FEATURES

Filter materials are non-toxic and therefore can be disposed of under normal waste conditions, subject to analysis of the collected particulate and/or Gas.

Compatible with:

- AD Oracle
- AD 350
- Nano Plus
- FumeKART
- DustPRO Universal
- DustPRO 400
- PrintPRO Universal
- V600
- 3D PrintPRO 4

PART CODE

Part Code	Item
A1050017	Bofa Pump Universal Voltage

AES OFFER INSTALLATION AND SERVICE SUPPORT FOR ALL EQUIPMENT