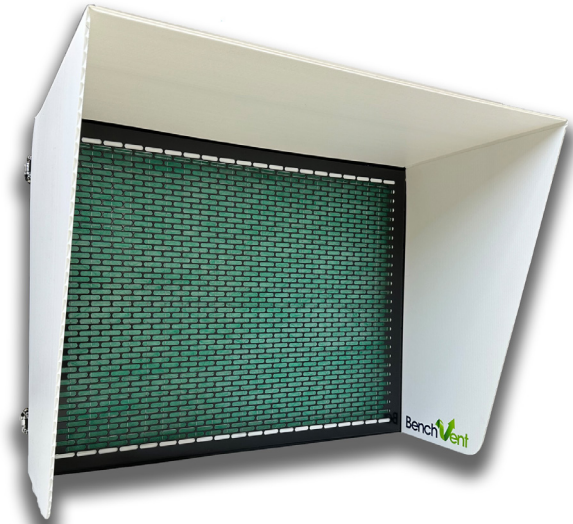


BV260S FILTERED SPRAY AND GLUE BOOTH



DESCRIPTION

The BenchVent BV260S is a recirculatory spray booth. It is bigger than the BV300S and thanks to its 2 external rotor axial fans, it is as powerful as the BV200S. It can take up to B3 size artwork (between an A3 and A2 size 3).

The BV260S is portable and an ideal air filtration solution for hobby work shops, design and technology classrooms, as well as airbrushing demos in shops or during exhibitions and shows.

This unit does not require external vent. Instead, it is fitted with activated carbon fibre filter, which makes it suitable for use with solvent fumes.

Applications: Craft/Hobby/Scale Model Painting/Airbrush Painting/Light Grinding Particles and Dusts/Cleaning Solvents.

Reclining (on back stand) - ideal for spray mounting artwork or applying lacquers or fixatives.
Upright - For airbrushing models, light grinding particles, sanding and general solvent dilution.

CONSTRUCTION

- Black powder coated steel case with white back stand and black carry handle.
- Particulate + Activated Carbon Impregnated Fibre Filter.
- 2x external rotor motor axial fans, brushless, UL, VDE, CSA approved.
- Sealed electrical wiring and switch, downstream filters.

TECHNICAL SPECIFICATION

Dimensions (L x D x H)	610 x 490 x 495 mm
Weight	23 kg
Fan Motor Spec.	230 V, 50 Hz 80 W 115 V, 60 Hz 90 W
Air Volume	610 m ³ /hr
Average Air Velocity @ Filter Face	0.50 m/sec
Average Air Velocity @ Hood Face	0.35 m/sec
Filters	Filter Kit - FKA5
Noise Level	61 db(A)

OPERATION

All WS filtration and extraction systems carry a lifetime warranty, are quiet in operation and can be assembled in seconds. Place onto a desk, or trolley and then simply plug in and switch.

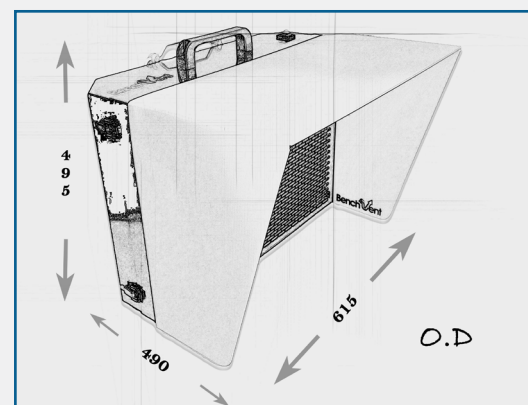
These units can be used in two positions.

Reclining position (on back-stand) - For Spray Mount, aerosol lacquers and fixatives, etc. applied to artwork placed onto the filter. BV200S accommodates artwork up to A2.

Upright position - For model sprays and airbrush use - light grinding particles - solder fume displacement - general solvent dilution etc. onto the hood base for spraying, cleaning, sanding etc.

This unit is designed predominantly for studio, D&T classrooms, workshop cleanliness and for immediate operator protection against concentrations of airborne contaminants. They are not recommended for continuous usage such as production applications, particularly in confined and/or badly ventilated areas.

DIMENSIONS



AES OFFER INSTALLATION AND SERVICE SUPPORT FOR ALL EQUIPMENT