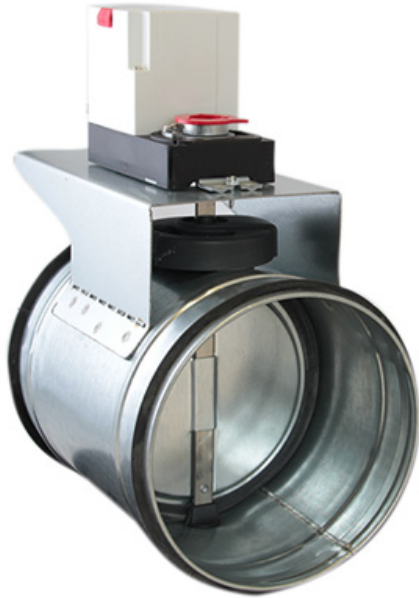


GEOVENT MOTOR DAMPER - 230



TECHNICAL SPECIFICATION

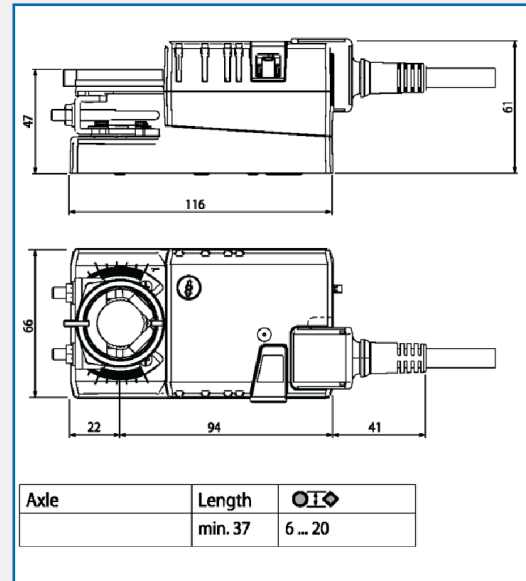
Power Supply	AC 100 - 240 V
Power Consumption	2 W @ nom. Torque 0.4 W @ Idle
Wire Dimensions	4 VA
Connection	Cable, 1 m
Torque	Min 5 Nm
Angle of Rotation	90°
EMC-Emission	CE acc. to 89/336/EEC
LVD	CE acc. to 73/23/EEC
Ambient Temperature	0 - 50°C
Protection Class	IP 54
Sound Power Level	Max. 45 dB(A)

DESCRIPTION

The Geovent Motordamper-230 is specially designed for use in point extraction systems that require opening and closing of the dampers by suction points.

Geovent Motordamper-230 is a tight damper that can open 90° in 35 seconds. This damper is available with ON/OFF or modulating motor for accurate control of the air.

The damper is available from ø80 mm to ø400 mm.



PART CODE/ORDERING TABLE

Motor damper GFD-80	61-091
Motor damper GFD-100	61-092
Motor damper GFD-125	61-093
Motor damper GFD-160	61-094
Motor damper GFD-200	61-095
Motor damper GFD-250	61-096