

## BOFA PRINTPRO UNIVERSAL



### TECHNICAL SPECIFICATION

Dimensions (LxWxH)	525 x 385 x 625 mm
Voltage	90 - 257 V - 1 ph.
Power Consumption	1.1 kW - 50/60 Hz
Max. Negative Pressure	96 mbar
Max. Airflow	380 m <sup>3</sup> /h
Weight	51 kg
Cabinet Construction	Powder Coated Mild Steel
Gas/HEPA Filter Surface Area	3.5 m <sup>2</sup>
Gas/HEPA Filter Media	Glass Fibre
Treated Activated Carbon	20 kg
Sound Level	<68 dBA (at typical operating speed)
Approvals	CE

### DESCRIPTION

The Bofa's PrintPRO Universal is designed exclusively for the print and print finishing industries.

The PrintPRO Universal's unique features enable it to effectively capture and remove a wide range of solvents generated within these environments, including MEK, Ketones and Ozone from UV applications.

This extraction unit is easily adapted to a huge range of environments, including wide format printers, inkjet coding printers (CIJ) (both solvent and UV) and numerous mailroom applications such as UV coating, hot melt glue binding and mailwrap polywrapping.

### FEATURES

- VOC gas sensor
- Extended life carbon for low cost of ownership
- Auto sensing voltage (90 - 257 V) for global use
- Specially treated carbon for safe containment of print fumes
- Compact size enables extraction unit to be positioned within the printer footprint
- Filter change indicator/Castors for portability
- Digital speed control
- 24 V Remote stop/start interface via printing machine
- Small footprint/Low noise level

### PART CODE/ORDERING TABLE

PrintPRO Universal - Powder Coated	L2044A
------------------------------------	--------

### OPTIONS

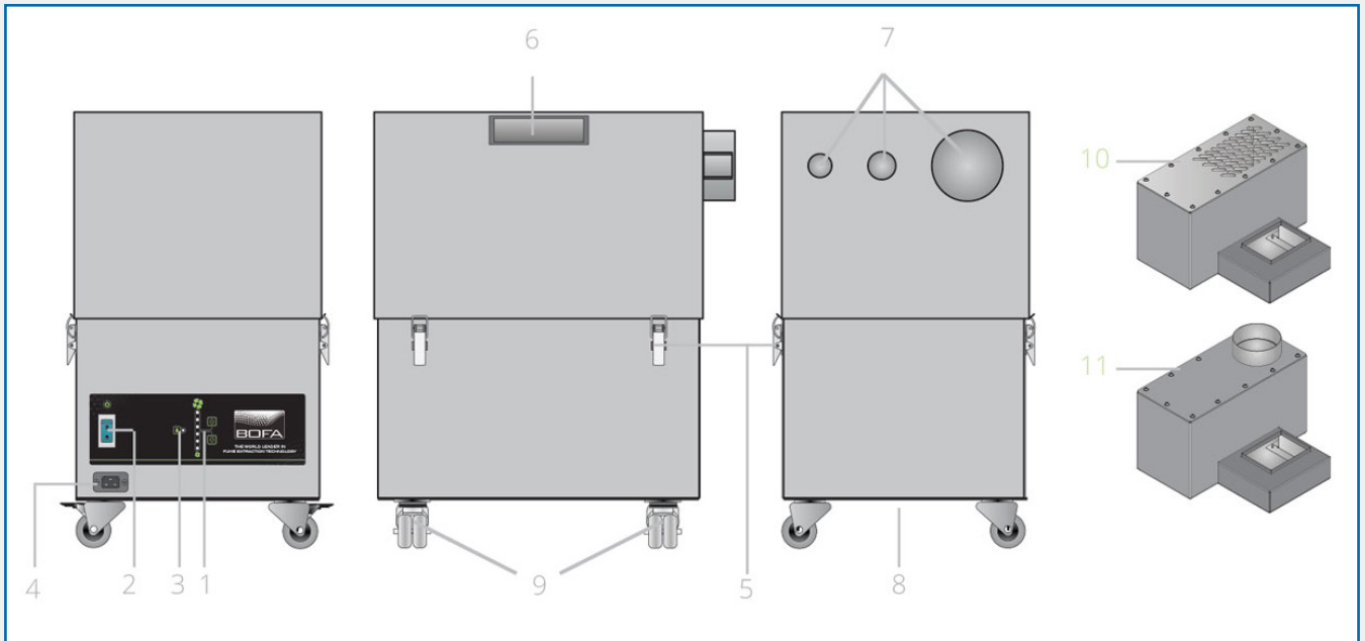
24 V Stop/Start	A2001
Filter change/System failure signal	A2002
Silencer box with spigot	A1060052
Silencer box with air return grille	A1060187

### REPLACEMENT FILTERS

Gas/HEPA Filter	A1030157
-----------------	----------

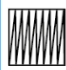



AES OFFER INSTALLATION AND SERVICE SUPPORT FOR ALL EQUIPMENT

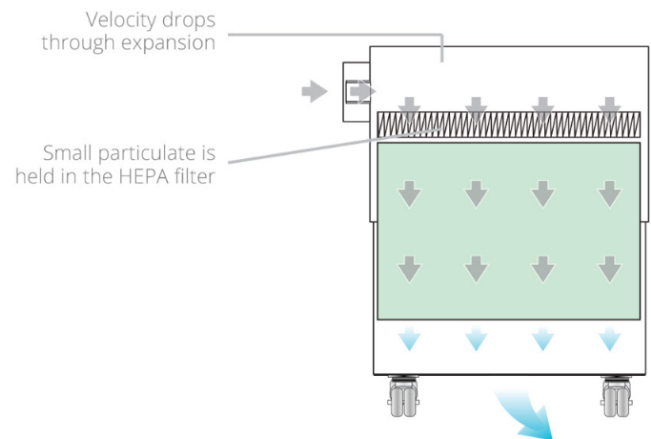
## BOFA PRINTPRO UNIVERSAL



- |  |                                       |                             |
|--|---------------------------------------|-----------------------------|
| 1. Digital speed control                       | 2. On/off switch                      | 3. Filter condition display |
| 4. IEC power cable inlet                       | 5. Lid fastening latches              | 6. Handles                  |
| 7. Hose inlet connections - 32 mm/38 mm/100 mm | 8. Exhaust outlet                     | 9. Castors                  |
| 10. Optional silencer box with grille          | 11. Optional silencer box with spigot |                             |

### Airflow through filters

-  HEPA filter
-  Chemical filter
-  Contaminated air
-  Clean air



AES OFFER INSTALLATION AND SERVICE SUPPORT FOR ALL EQUIPMENT