

OSF 3x2000 SM



TECHNICAL SPECIFICATION

Capacity (max airflow m3/h)	6000
Certifications	CE
Filter cleaning method	Self-Draining
Filter efficiency (%)	99.95
Installation	Indoor
Material	Sheet metal, painted both in- and outside.
Operating Temperature	60 deg C (limited by filter)
Protection class	IP55
Standard	2009/125/EC
Volume (for shipping) (m3)	17.6
Working pressure (kPa)	Max 4500 Pa
Amperage (A)	19.5/11.3
Colour	NCS-S 1005 B20G
Frequency (Hz)	50
Number of filter elements	18
Noise level (dB(A))	<70 dB(A) @1.5 m from service side with optional fan enclosure and silencer
No of phases	3
Power (kW)	11
Power Voltage (V)	400/690
Weight (kg)	1920
Note	Plus 6 optional filter elements.

DESCRIPTION

Nederman OSF oil smoke collectors are designed to handle large amounts of neat oil mist during continuous operation. They are developed with focus on high efficient filtration together with low maintenance cost.

Nederman OSF 3x2000 has as standard 3 filter-stages where the first 2 stages consists of filter cassettes with Nederman's FibreDrain® technology. Nederman have a wide range of different types of filters to suit many different kind of applications. The third stage consists of a HEPA filter in filter class H13 with an efficiency of 99,95% for MPPS according to EN1822. All tower built Nederman OSF units are prepared for use of pre filter. OSF 3x2000 have a top mounted radial fan.

FEATURES

- Three filter stages, optional pre-filter
- Gauges for reading of pressure drop over each filter stage
- Drain: 4 off 1 1/2"
- Non-vibration fan suspension system

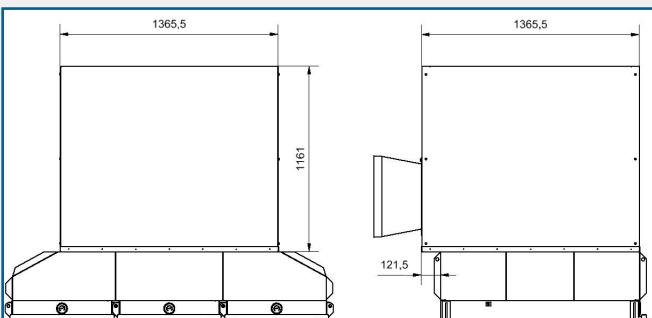
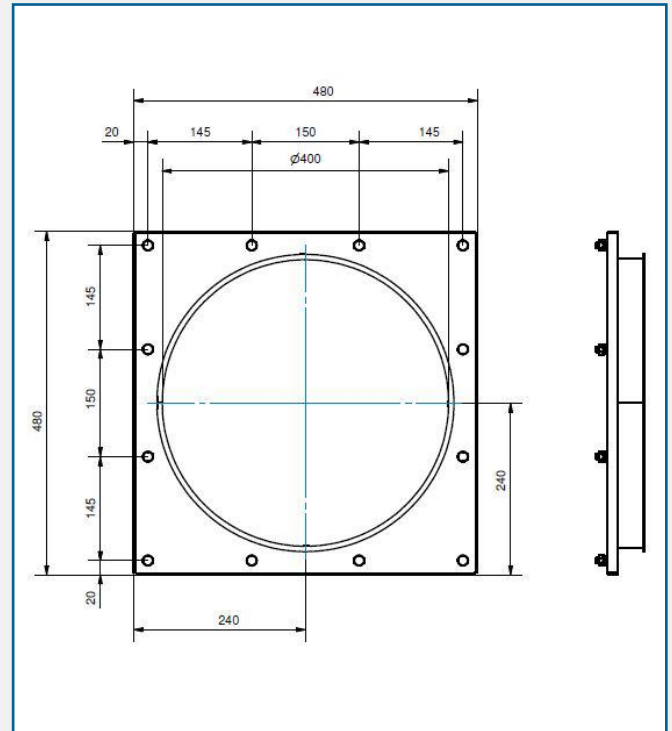
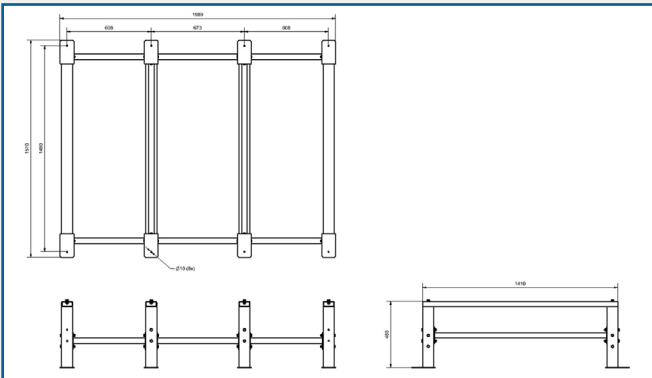
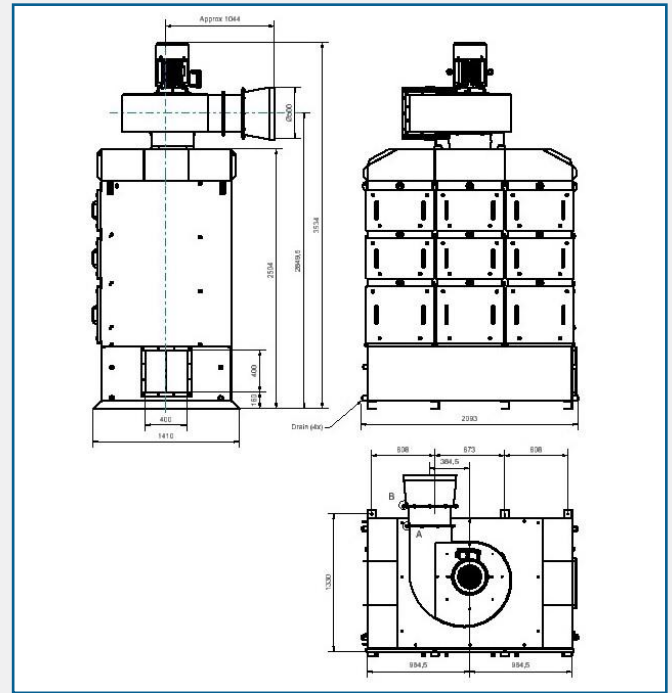
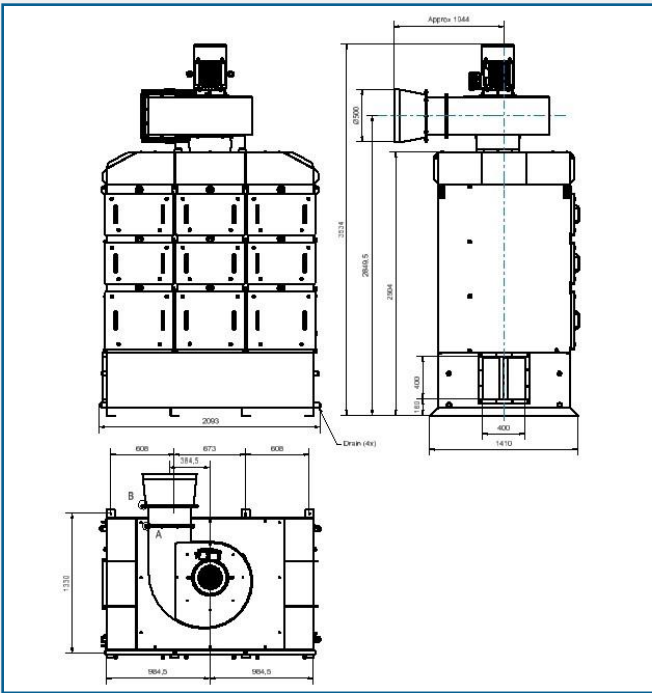
MODELS

SKU	Description
12401143	OSF 3x2000, Inlet flange 560x560mm left. Drain 4 x 1 1/2" Female.
12401144	OSF 3x2000, Inlet flange 560x560mm right. Drain 4 x 1 1/2" Female.

AES OFFER INSTALLATION AND SERVICE SUPPORT FOR ALL EQUIPMENT

OSF 3x2000 SM

DIMENSIONS



AES OFFER INSTALLATION AND SERVICE SUPPORT FOR ALL EQUIPMENT