

## MS25 EXTRACTOR



### TECHNICAL SPECIFICATION

Machine Width	779 mm
Machine Depth	899 mm
Machine Height	800 mm
Filter Area	2.4 m <sup>2</sup>
Dust Collection Capacity	12 litre dust tray
Inlet sizes (standard)	1 x 120 mm or 2 x 100 mm diameter ports
Motor Power Rating	1.1 kW 230/1/50 or 400/3/50
Full Load Amps	1 Phase = 7A, 3 Phase = 2.5A
Filter Condition Monitoring	Differential pressure gauge across filters included

### DESCRIPTION

The MS25 Dust Extractor has been designed for use with industrial grade workshop machines, producing medium to fine dust such as linishers, grinders and polishers.

The MS25 is compact, quiet and well made with a robust steel construction making it perfect for applications across all industry sectors. Fire retardant/heat resistant filters are also available for especially tough tasks.

The MS25 can also be purchased with options that allow the extractor to be used as the pedestal for machines such as polishers, sanders and grinders.

Available with options such as ATEX Explosion Relief and HEPA Filtration.

### FEATURES

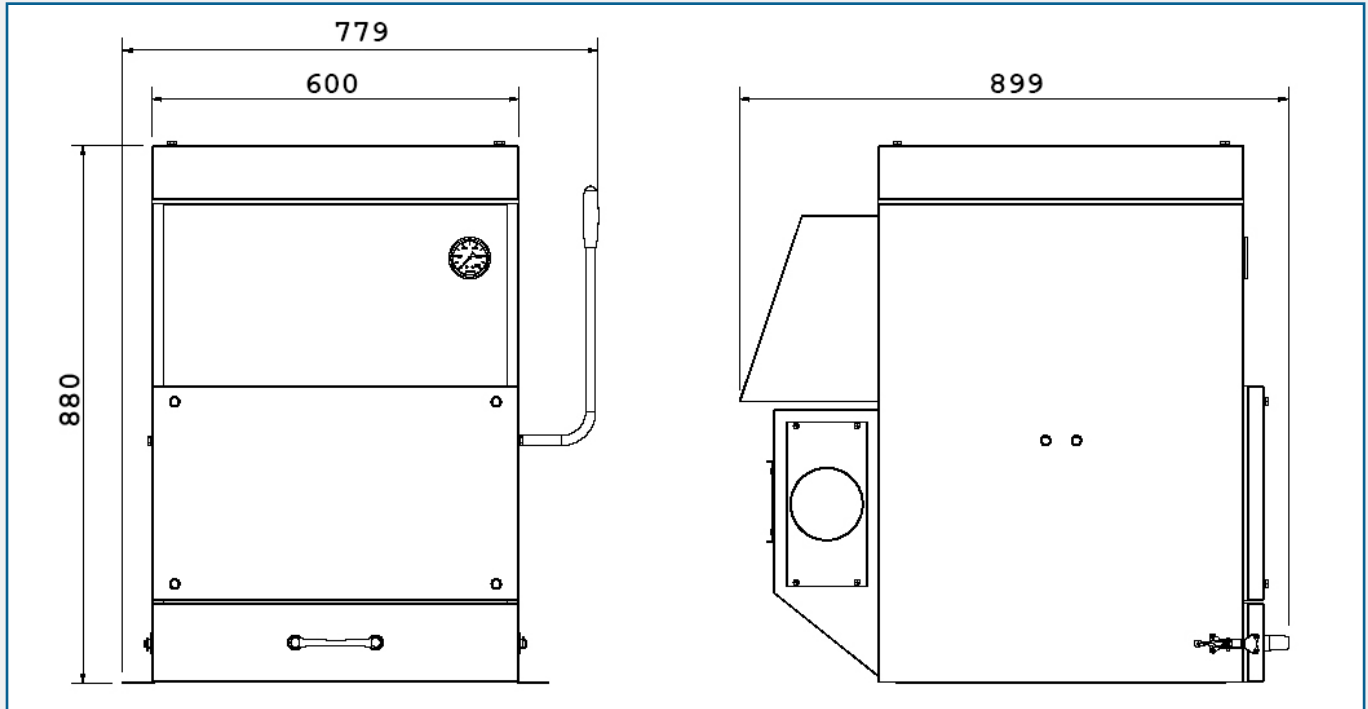
- 2.4 m<sup>2</sup> (25ft<sup>2</sup>) of filter area.
- Easy to empty waste collection tray.
- Compact and versatile with low noise characteristics.
- Suitable for a variety of dust types.
- Solid industrial construction.
- Options for using as a pedestal for other machines.



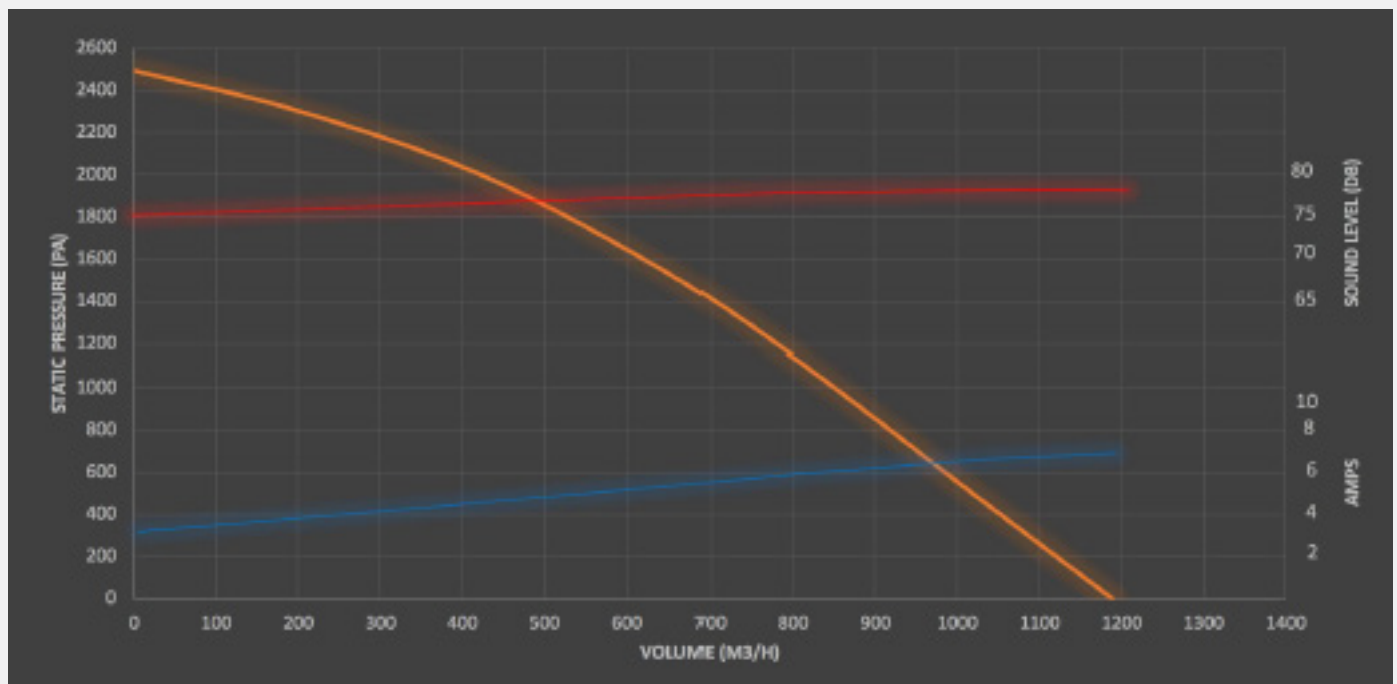
AES OFFER INSTALLATION AND SERVICE SUPPORT FOR ALL EQUIPMENT

# MS25 EXTRACTOR

## DIMENSIONS



## AIRFLOW PERFORMANCE GRAPH



AES OFFER INSTALLATION AND SERVICE SUPPORT FOR ALL EQUIPMENT