

ME-2800 MOBILE HEAVY DUTY VACUUM



TECHNICAL SPECIFICATION

Weight	46 kg
Dimensions (DxWxH)	595 x 830 x 1275 mm
Sound Level	69 dB (free flow)
Voltage	220-230 V 1-phase
Fuse	10 A
Rated Power	2 x 1250 W
Max. Airflow	272 m ³ /h
Max. Vacuum	23 kpa
Simultaneous users	1
Main Filter	Polyester
HEPA Filter	H13
Bag	Longopack

DESCRIPTION

The ME-2800 is a robust heavy duty mobile vacuum cleaner that safely handles harmful dust in the environment.

ME-2800 meets all requirements for H Classification for safe handling of hazardous dust.

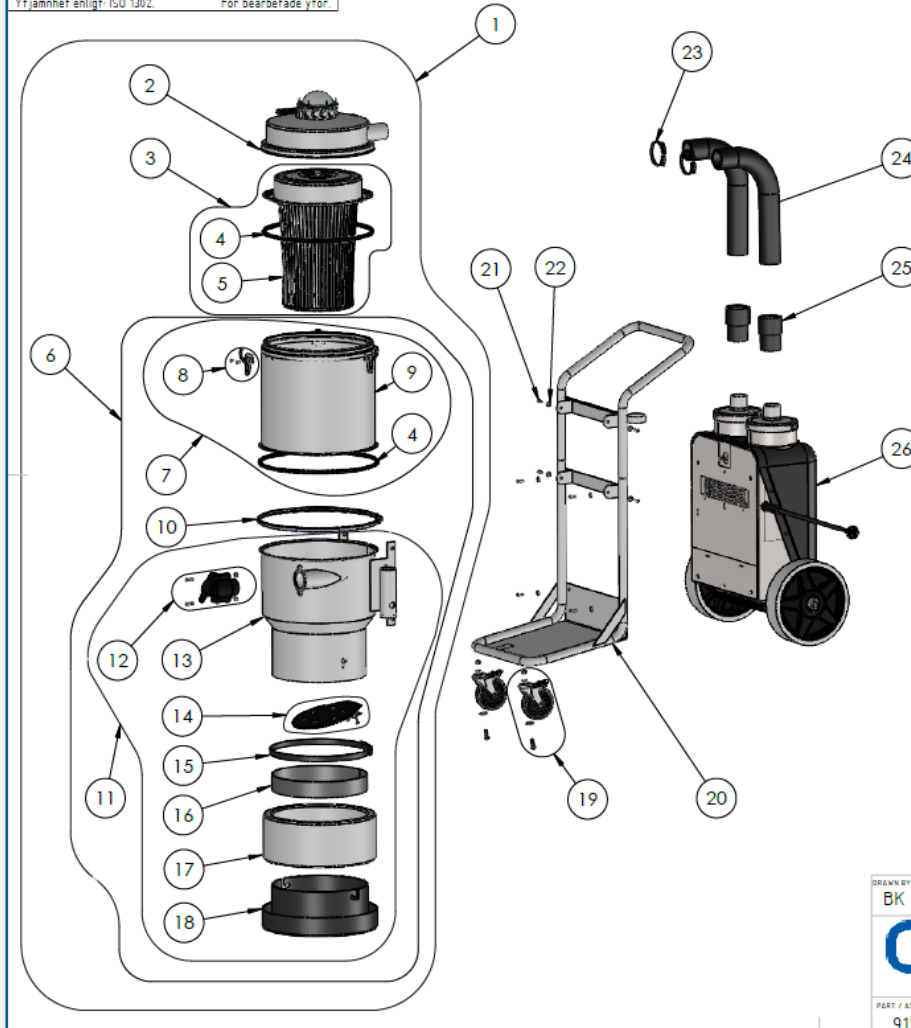
The unit may only be used with dry, non-explosive materials.



AES OFFER INSTALLATION AND SERVICE SUPPORT FOR ALL EQUIPMENT

ME-2800 MOBILE HEAVY DUTY VACUUM

TOLERANCES acc. to ISO / TOLERANSCR enl. ISO
 Applicable where no tolerance is indicated.
 Gäller där tolerans ej är direkt utsett.
 For machining / For bearbetning: ISO 2768-mK
 For welding / For svetsning: SS-EN ISO 13920-DF
 Surface finish acc to ISO 1302 Ra 3.2 Machined surfaces.
 Yf jämnhet enligt ISO 1302. För bearbetade ytor.

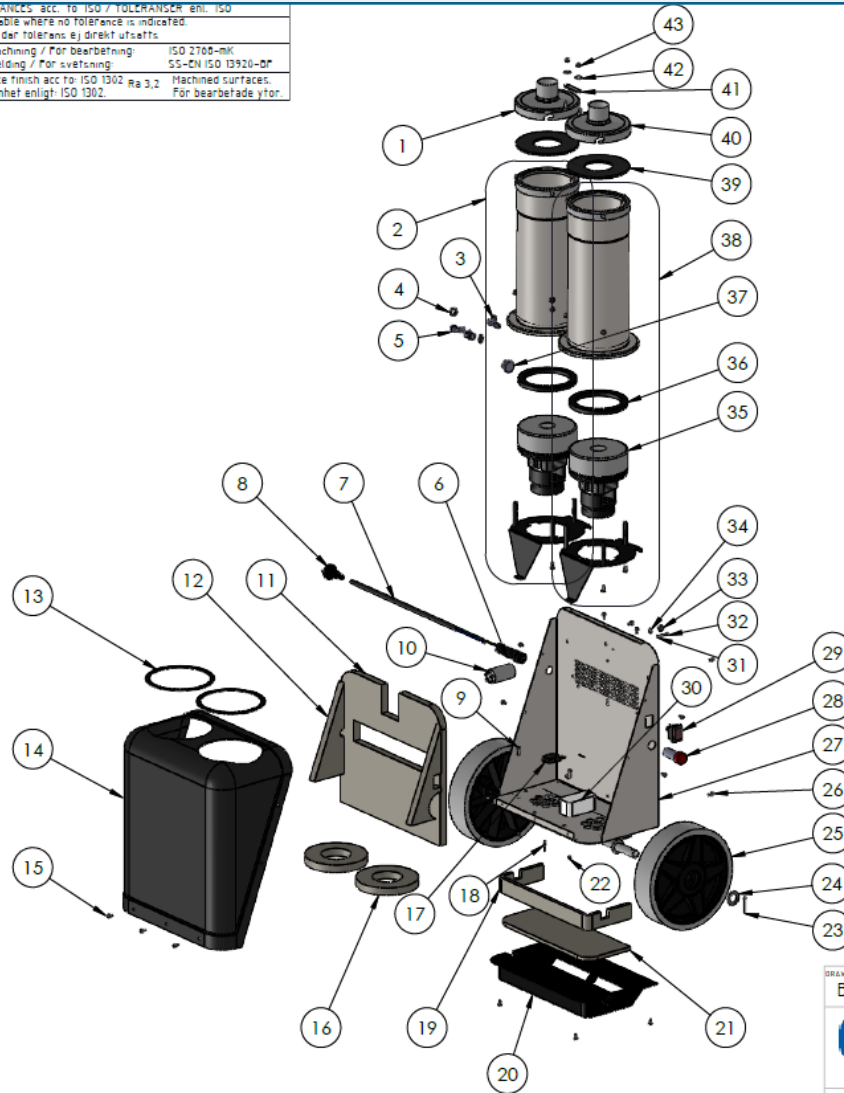


ITEM NO.	PART NUMBER	DESCRIPTION	QTY.
1	9110015g	TANK ASSEMBLY ME-2800, SHORT	1
2	9110017	TOP ASSEMBLY ME-2800	1
3	9110018	FILTER CARTRIDGE ASSEMBLY ME-2800	1
4	3401000	CELLULAR RUBBER STRIP 10 mm SLOTTED	2
5	4012002	CONICAL FILTER 3 m2 POLYESTER	1
6	9110019f	CYCLONE ASSEMBLY ME-2800 SHORT	1
7	9110024h	UPPER TANK ASSEMBLY (ex. ME-2800) SHORT	1
8	1341004	A3713 CLAMP (TANKS)	3
9	9110020g	UPPER TANK WELD ME-2800, SHORT	1
10	1706005	CLAMP RING Ø 380 SCREW	1
11	9110023a	LOWER TANK ASSEMBLY (ex. ME-2800)	1
12	8102010	SUCTION UNIT PLASTIC 50 mm	1
13	9110021a	LOWER TANK WELD (ex. ME-2800) 63mm	1
14	200500172	FLAP ASSEMBLY	1
15	1371001	316 BELT (18X1000)	1
16	20180905	FOAM RUBBER TAPE 3mmX15mmX50mm	1
17	1376013	LP28 PLASTIC TUBE-LONGOPAC (4-pack)	1
18	200600536a	LONGOPAC HOLDER (ex.S-line)	1
19	1343031	FRONT WHEEL	2
20	200600037A	WAGON WELD	1
21	1360217	HEXAGON SOCKET HEAD SCREW M5X16, DIN 912	8
22	1360205	PLANE WASHER M5, DIN 9021	8
23	200800158	Hose Clamp 60-60	2
24	1332036	PU50 HOSE (D=50 mm)	2
25	1335017	HOSE END (51MM) PACKING	2
26	201410543	CHASSIS ASSEMBLY (ex. ME2800)	1

DRAWN BY BK	YEAR 2021	WEEK 14	DRAWING CHECKED BY	DESIGN CHECKED BY	APPROVED BY	DATE
 CENTRAL VACUUM SYSTEMS			DESCRIPTION (ENGLISH) ME - 2800		DRAWING NO. 9112522	
PART / ASSEMBLY FILE 9112522			DRAWING FILE 9112522		SHEET 1 OF 3	
						REV 001

ME-2800 MOBILE HEAVY DUTY VACUUM

TOLERANCES acc. to ISO / TOLERANSSER enl. ISO
 Applicable where no tolerance is indicated.
 Gäller där tolerans ej direkt utsetts.
 For machining / For bearbejning: ISO 2768-mk
 For welding / For svetsning: SS-EN ISO 13920-DF
 Surface finish acc to: ISO 1302 Ra 3,2 Machined surfaces.
 Ytjämnhet enligt: ISO 1302 För bearbetade ytor.

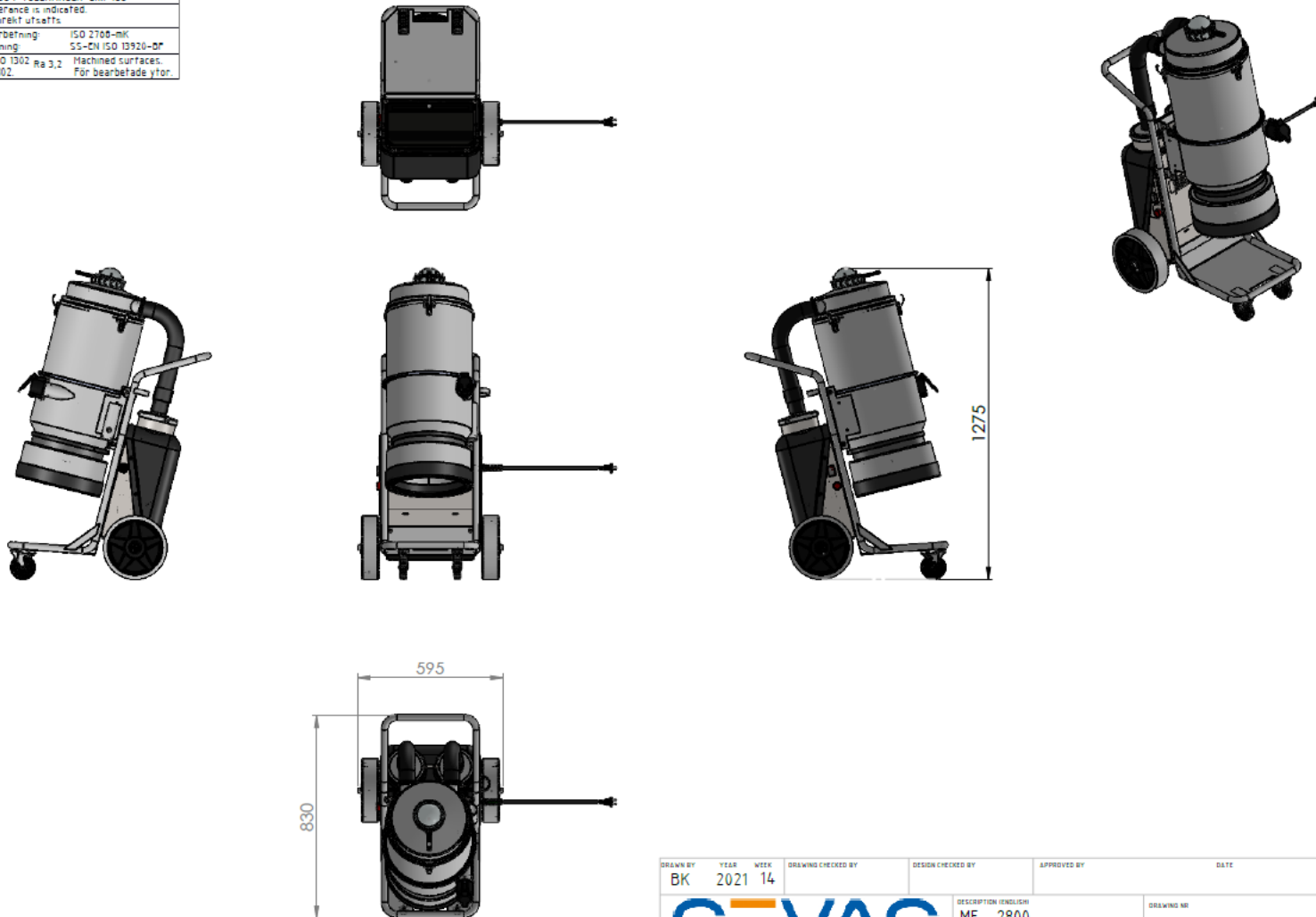


ITEM NO.	PART NUMBER	DESCRIPTION	QTY.
1	1100350a	LID FILTER TUBE LEFT	1
2	200600075ha	FILTER TUBE (ex. ME-2800)	1
3	20210113	Metric-BSP Swivel Male Tee	1
4	4206503	BSP adaptor-hexagon locking nut-1/4 thread	2
5	4206523	Metric-BSP Swivel Male Elbow	2
6	1362132	CABLE FIX	1
7	20200528	3G1.5 CABLE WITH PLUG	1
8	1362071	POWER PLUG	1
9	1360217	HEXAGON SOCKET HEAD SCREW M5X16, DIN 912	2
10	1362165	ELECTRICAL FILTER FP250	1
11	200600514	SOUND INSULATION CHASSIS LEFT	1
12	200600009	INSULATION CHASSIS LEFT	2
13	201200508	SEAL	2
14	200600496e	ENGINE COVER (ex. ME-2800)	1
15	1360241	HEXAGON WASHER HEAD SELF-DRILLING SCREW ST4.8x13, DIN 7504K	14
16	200600086	COOLING GASKET	2
17	10454	SOFT START 230V	1
18	1359017	AD 56 Popnit (4x9,5)	1
19	200600517	MOTOR COVER INSULATION	1
20	200600519	PLASTIC BOTTOM	1
21	200600518	SOUND INSULATION ENGINE COVER	1
22	1360114	SELF-LOCKING HEXAGON NUT M5, DIN 985	2
23	2450432	SAXPINNE 4X32 FBZ	2
24	1360145	BRB20 Washer (DIA 21/36/3)	2
25	1343030	REAR WHEEL	2
26	201400016	FLAT HEAD RIVET NUT M5X14, STEEL	4
27	201300306	CHASSIS WELD (ex. ME2800)	1
28	20210330	Indicator Buzzer	1
29	10423	START BUTTON	1
30	20210111	JUNCTION BOX MINI	1
31	1360045	TOOTHED WASHER (DIA 4.3)	1
32	1360037	HEXAGON SOCKET HEAD SCREW M4X20, DIN 912	1
33	2001008	HEXAGON NUT M8, DIN 934	1
34	20200604	TOOTHED WASHED (DIA 8.3)	1
35	200700385	MOTOR 230V KIT	2
36	200700169a	SEAL	2
37	20210921	FILTER GUARD ME - 2800	1
38	200600075hb	FILTER TUBE (ex. ME-2800)	1
39	201200446	PIPE GASKET SET	2
40	1100350b	LID FILTER TUBE RIGHT	1
41	201630015	HEPA - FILTER COVER HOLDER (ex. ME2800)	1
42	2530616	PLANE WASHER M6, DIN 9021	2
43	2003006	SELF-LOCKING HEXAGON NUT M6, DIN 985	2

DRAWN BY BK	YEAR 2021	WEEK 14	DRAWING CHECKED BY	DESIGN CHECKED BY	APPROVED BY	DATE
 CENTRAL VACUUM SYSTEMS			DESCRIPTION (ENGLISH) ME - 2800		DRAWING NO 9112522	
PART / ASSEMBLY FILE 9112522			DRAWING FILE 9112522		SHEET 2 OF 3	
						REV 001

ME-2800 MOBILE HEAVY DUTY VACUUM

TOLERANCES acc. to ISO / TOLRANSER enl. ISO	
Applicable where no tolerance is indicated	
Oeller der tolerans e3 direkt utsett	
For machining / For bearbeiting	ISO 2768-mK
For welding / For sveiting	SS-EN ISO 13920-DR
Surface finish acc to ISO 1302 Ra 3,2	Machined surfaces.
Yfjammhet enligt ISO 1302.	For bearbetade ytor.



DRAWN BY	YEAR	WEEK	DRAWING CHECKED BY	DESIGN CHECKED BY	APPROVED BY	DATE
BK	2021	14				
CEVAC			DESCRIPTION (ENGLISH)		DRAWING NO.	
CENTRAL VACUUM SYSTEMS			ME - 2800		9112522	
PART / ASSEMBLY FILE			DRAWING FILE		SHEET	
9112522			9112522		3 OF 3	
						REV
						001