

GEOVENT GEOFILTER GF 315



TECHNICAL SPECIFICATION

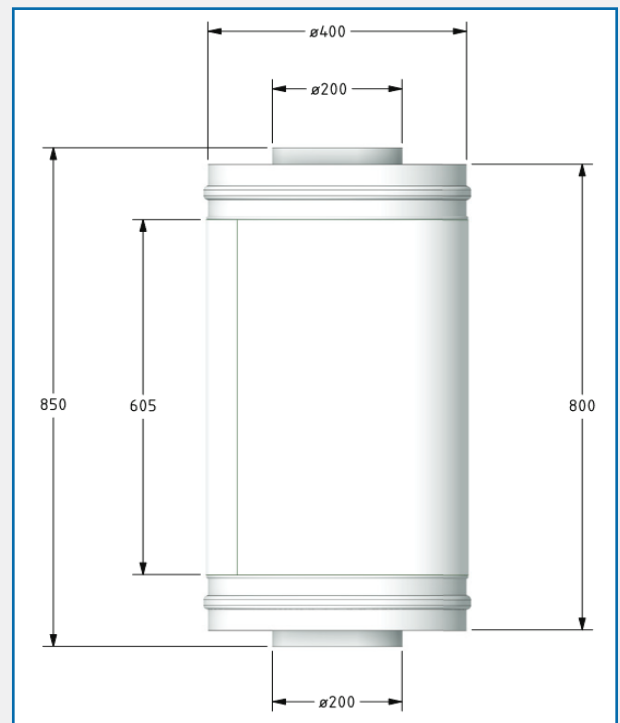
Airflow	800-1500 m ³ /h
Filtration Degree	F9 - 99.9%
Filter Type	Filter cartridge
Filter Area	18 m ²
Inlet	200 mm
Outlet	200 mm

DESCRIPTION

The Geovent GeoFilter GF 315 is a compact and efficient unit designed to clean the air from processes such as welding fumes and grinding dust. The GeoFilter GF 315 is capable of filtering air volumes from 800 to 1500 m³/h.

Equipped with a filter surface of 18 m², the GF 315 is ideal for applications where automatic cleaning is not required. When the filter gets clogged, it needs to be replaced or cleaned, with compressed air or a brush. The GF 315 is easy to disassemble.

DIMENSIONS



PART CODE

Description	Art. No.
GeoFilter GF 315	15-322

REPLACEMENT FILTERS

Description	Art. No.
Filterpatron for GF 315 F9	15-340
Filterpatron for GF 315 H14	15-341