

ESTA MOBEX F-60 W3



DESCRIPTION

The stationary welding fume filters in the MOBEX F series have been designed for the effective extraction of welding fumes. The devices are mainly used in the metal industry for single and multi-station extraction. Up to four extraction points can be serviced simultaneously via a pipe system. The MOBEX F series is based on a new housing concept with a patent-pending fold system and is optionally available with the IFA test certificate W3 for high-alloy steels.

FEATURES

- High suction performance
- Low operating costs thanks to cleanable permanent filter
- Long filter life due to a pre-separation system
- Low operating noise thanks to a sound-insulated housing
- Small space requirement due to compact design
- Easy, dust-free removal of collected material through a new disposal system
- Minimal Space requirements

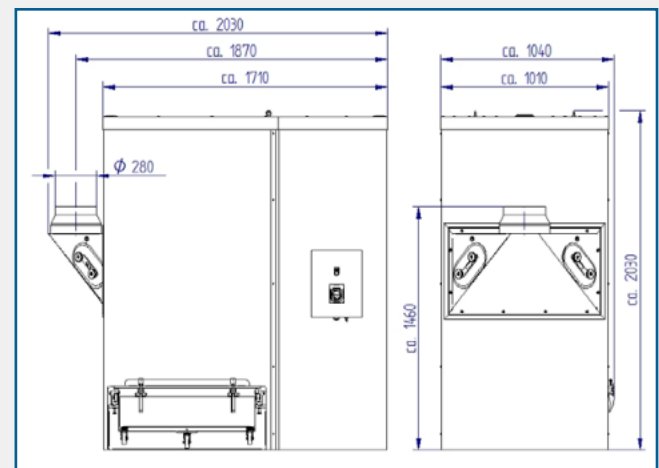
CHARACTERISTICS

- Automatic jet pulse cleaning system
- Cleanable long life filter cartridges (dust classification M)
- Integrated impact separator
- Easy to replaceable dust collection bins
- New housing structure of sandwich panel

TECHNICAL SPECIFICATION

Dimensions (LxWxH)	2030 x 1040 x 2030 mm
Voltage	400 V
Motor	4.0 kW
Frequency (Rated)	50 Hz
Fuse	16 A
Max. Negative Pressure	3400 Pa
Max. Airflow	4500 m ³ /h
Sound Level	74 db(A)
Filter Surface	42 m ²
No. of filter elements	3 pc
Filter Cleaning	Jet-Pulse
Weight	350 kg
Intake	280 mm
Dust Collection Bin	100-150 litres
Compressed air requirement*	ca. 19 l/impuls
Compressed air connection	4-6 bar

DIMENSIONS



PART CODE/ORDERING TABLE

ESTA Mobex F-60	DF-HV60-003
-----------------	-------------

AES OFFER INSTALLATION AND SERVICE SUPPORT FOR ALL EQUIPMENT

ESTA MOBEX F-60 W3

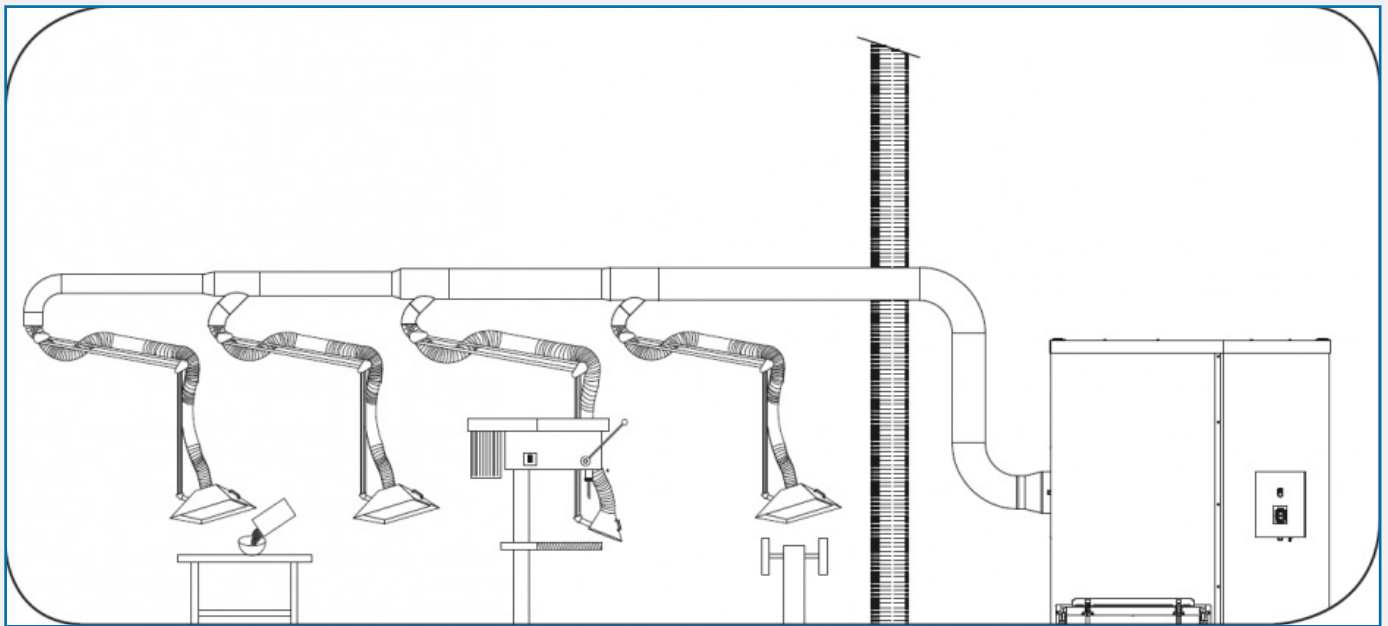
APPLICATION RANGE

- Single and multiple extraction in industrial plants or smaller workshops
- Dry, pourable, non-flammable welding fumes
- Welding of all metals
- Extraction of robot welding booths
- Ideal for:
 - Welding Fume
 - Soldering Fume

MODIFICATIONS

- Filter cartridges with advanced properties with pre-separator
- Mobile on wheels (H + 107 mm)
- With dry contact for external control
- Exhaust air socket
- Test certificates for special applications (W3)
- The welding fume filters in the MOBEX F series are optionally available with the IFA test mark W3 for the extraction of welding fumes from high-alloy steels.

MOBEX F-60 W3 SET-UP INSTALLATION EXAMPLE



INSTALLATION APPLICATIONS

- On-torch extraction
- Connection to duct for spot extraction for weld fume via extraction arms and hoods
- Central solder fume extraction unit

CUSTOM CONFIGURATIONS

- Special Voltage
- Exhaust Air connection
- Spark pre-separator
- Extinguishing device

AES OFFER INSTALLATION AND SERVICE SUPPORT FOR ALL EQUIPMENT