

## NEDERMAN FUME ELIMINATOR 860



### DESCRIPTION

The Fume Eliminator 860 is designed to be carried to the working area. Although it can be used with a nozzle, it is specifically developed for on-torch applications - connected directly to the welding torch, it extracts the fume directly at the source.

The FE 860 has a knob to set the desired suction level, an automatic start/stop function, which starts the unit as soon as the welding begins and significantly improved motor performance (versus the FE840/841).

The FE 860 is suitable for extraction of fume in maintenance welding applications and is compliant with ISO 21404 (W3).

### FEATURES

- Portable and easy to carry.
- Automatically maintains the set extraction flow - ideal for ontorch applications.
- Warnings at malfunction and when the filter is 85% and 100% full.
- High efficiency Nanofiber filter protecting the user from submicron particles. F9 (EN 779) MERV 14 (ASHRAE 52.2).
- Designed for torches requiring max 18 kPa at connection point - according to ISO 21904.

### TECHNICAL SPECIFICATION

Installation	Indoor
Filter cleaning method	One way filter
Application	Fumes
Working pressure (kPa)	25
Max Airflow (m3/h)	180
Hose Diameter (mm)	50
Hose length (m)	2.5
Filter Area (m <sup>2</sup> )	5.3
No of phases	1
Filter type	Cartridge
Number of filter elements	1
Filter material	Cellulose with nanofiber
Working pressure (kPa)	25
Weight (kg)	16
Hose diameter (mm)	50



AES OFFER INSTALLATION AND SERVICE SUPPORT FOR ALL EQUIPMENT

## NEDERMAN FUME ELIMINATOR 860

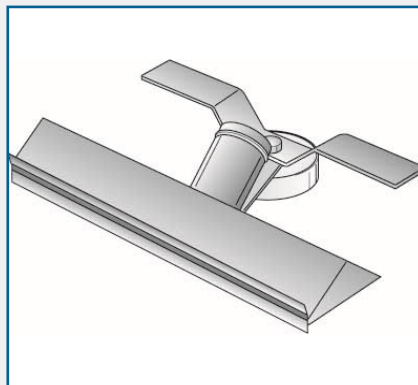
### TECHNICAL SPECIFICATION

Description	Power Voltage (V)	Frequency (Hz)	Electric plug	Power (kW)	Model
FE860 Nano 230V UK	230	50	UK	1.3	70842020
FE860 Nano 110V UK	120	50/60	UK	1.25	70842030

### ACCESSORIES

Metal filter for FE 840/841	70282004
Metal filter compl. for FE 840/841	70284001
Filter nano disposable	70377313
Hose superflex crushproof Ø50 5m	70377340
Hose superflex crushproof Ø50 2,5m	70377336
Hose superflex crushproof Ø50 15m	70377339
Funnel nozzle TM-80	70851000
Flange nozzle PM-300	70853000
Funnel nozzle TM-200	70854000

### NOZZLES



AES OFFER INSTALLATION AND SERVICE SUPPORT FOR ALL EQUIPMENT