

## ASA-4 ARM Ø160 & Ø200 mm



### DESCRIPTION

The ASA-4 extraction arm is ideal for operators working in environments effected by welding fumes, grinding dust and other grinding fumes where operators need to focus on maneuverability, ergonomics & efficiency.

The arm construction consists of a hose which is mounted outside a carrying arm, made from robust aluminium. The exterior arm helps with increased airflow within the hose. The arm has 3 stables and 3 turning points, which allows smooth operation of movement for the operator.

The arm can be extended up to 8m with the use of additional extension arms. THE ASA-4 is available in lengths of 2, 3 and 4 metres.

The ASA-4 arm is a ducted arm with aluminium duct with hose for further increased airflow and an external carrying arm. The ASA-4 has a lower pressure drop than other arms, whilst keeping a similar construction.

**Photo Above: A large installation of ASA-4 arms by AES in Newcastle.**

### FEATURES

- **WALL BRACKET** - 180° rotation: Steel console in powder coated enamel.
- **HOOD** - Light weight aluminium epoxy enamel hood available in all sizes from Ø160 & Ø200. The Ø160 and Ø200mm hoods are equipped with an integrated ergonomic handle, movable in all positions.
- **ARM** - Aluminium 25 x 25 mm pipe connected via a knee joint with friction discs and plate springs. Inner arm is reinforced with 30 x 30 mm EL-galvanised bracket and equipped with gas spring.
- **CAPACITY** - Up to 2000 m<sup>3</sup>/h (depending on Ø diameter), making the ASA-4 arm suitable for all types of welding fumes and glue fumes, where large airflows are required.

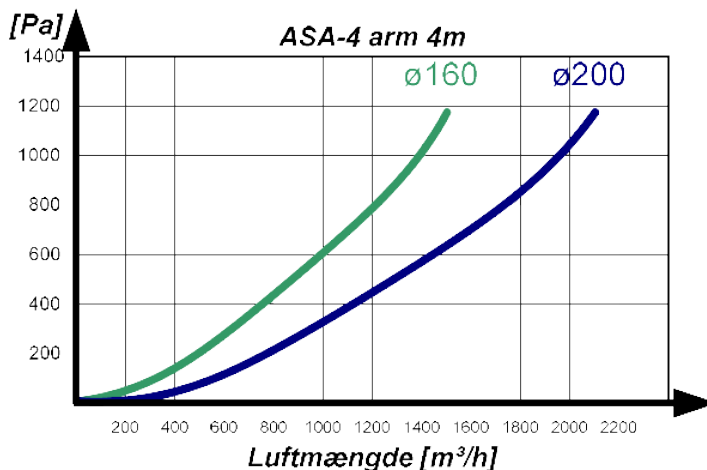
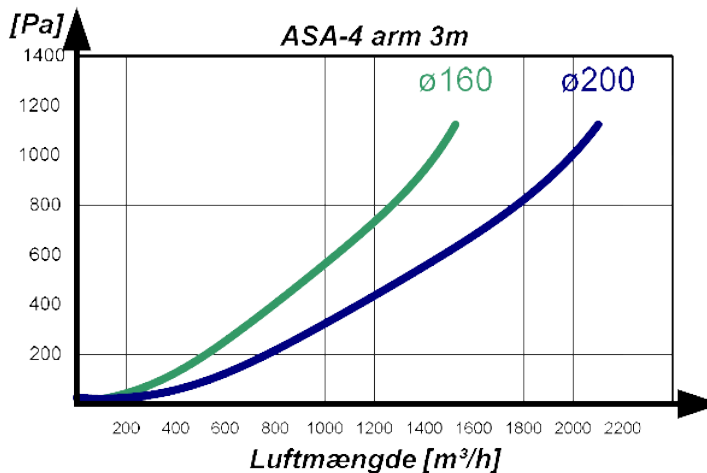
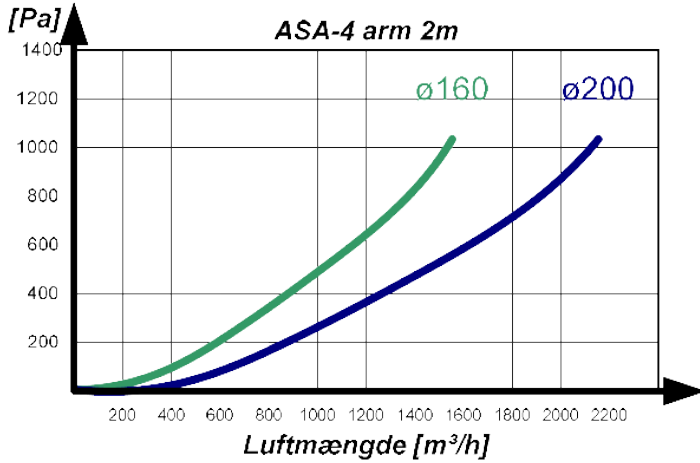
### TYPICAL USE

Ø160 mm = 800 - 1000 m<sup>3</sup>/h for MIG/MAG welding black steel

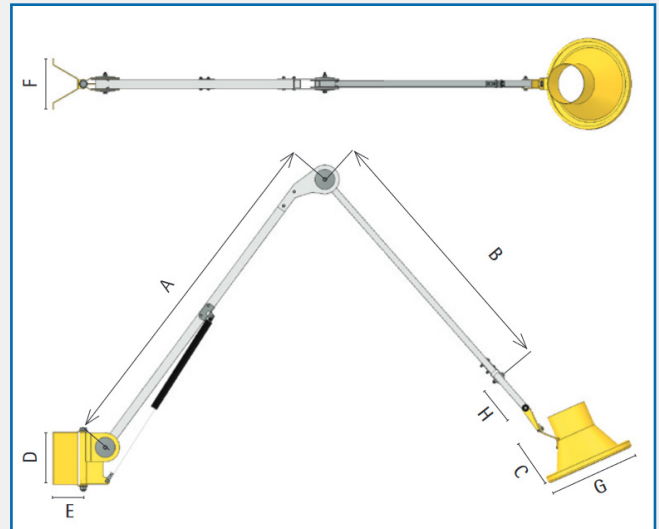
Ø200mm = 800 - 1000 m<sup>3</sup>/h for MIG/MAG welding stainless steel

AES OFFER INSTALLATION AND SERVICE SUPPORT FOR ALL EQUIPMENT

## PRESSURE DROP GRAPHS FOR ASA-4 ARM



### DIMENSIONS



**Dimension Table ASA-3 Arm - Carry Arm**

Arm Length	A (mm)	B (mm)	D (mm)	E (mm)	F (mm)
2.0 m	870	700	206	120	200
3.0 m	1370	1210	206	120	200
4.0 m	1865	1700	206	120	200

**Weights ASA-4 - With Duct**

Art. No	Description	Weight
ASA4-2-160	2.0m - Ø160	9 kg
ASA4-2-200	2.0m - Ø200	10 kg
ASA4-3-160	3.0m - Ø160	10 kg
ASA4-3-200	3.0m - Ø200	11 kg
ASA4-4-160	4.0m - Ø160	11 kg
ASA4-4-200	4.0m - Ø200	12 kg

### AES PART CODE/ORDERING TABLE

Part No.	Description	AES Part Code
ASA4-2-160	ASA-4 Arm 2m Ø160mm	DF-EA24-001
ASA4-2-200	ASA-4 Arm 2m Ø200mm	DF-EA24-002
ASA4-3-160	ASA-4 Arm 3m Ø160mm	DF-EA24-003
ASA4-3-200	ASA-4 Arm 3m Ø200mm	DF-EA24-004
ASA4-4-160	ASA-4 Arm 4m Ø160mm	DF-EA24-005
ASA4-4-200	ASA-4 Arm 4m Ø200mm	DF-EA24-006

AES OFFER INSTALLATION AND SERVICE SUPPORT FOR ALL EQUIPMENT