

GEOVENT ASA-3 ARM Ø80, Ø100, Ø125, Ø160 & Ø200 mm



DESCRIPTION

The ASA-3 extraction arm is ideal for operators working in environments effected by welding fumes, grinding dust and other grinding fumes where operators need to focus on maneuverability, ergonomics & efficiency.

The arm construction consists of a hose which is mounted outside a carrying arm, made from robust aluminium. The exterior arm helps with increased airflow within the hose. The arm has 3 stables and 2 turning points, which allows smooth operation of movement for the operator.

The arm can be extended up to 8m with the use of additional extension arms. THE ASA-3 is available in lengths of 2, 3 and 4 metres.



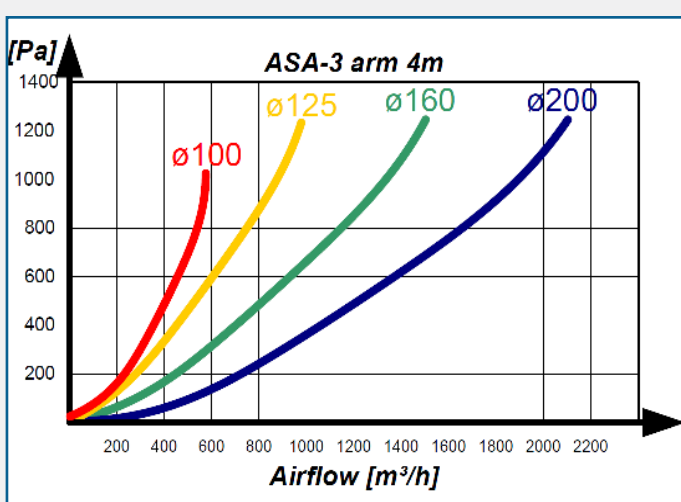
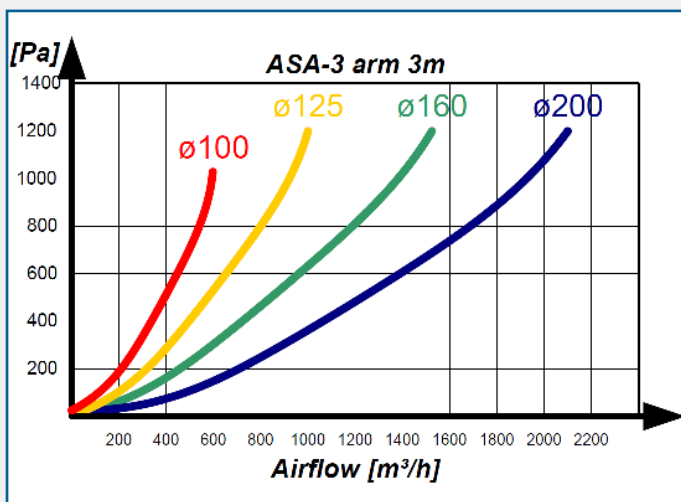
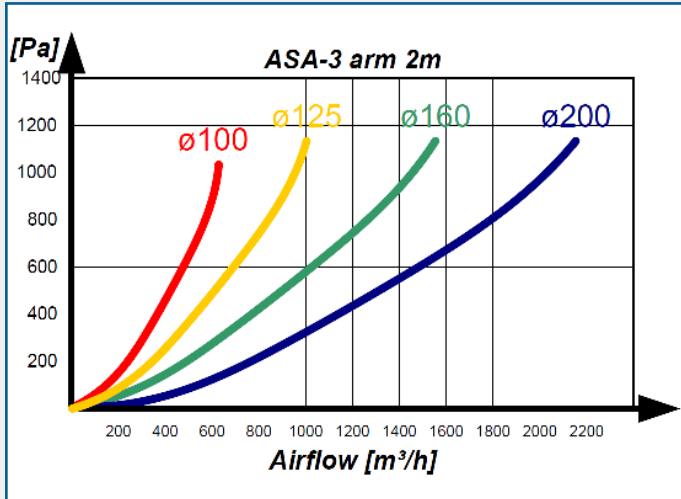
FEATURES

- **WALL BRACKET** - steel console in powder enamel yellow RAL1007. The console is turnable up to 180°.
- **HOOD** - Light weight aluminium epoxy enamel hood available in all sizes from Ø80 - Ø200. The Ø160 and Ø200mm hoods are equipped with an integrated ergonomic handle, movable in all positions.
- **ARM** - Aluminium 25x25 mm pipe connected via a knee joint with friction discs and plate springs. Inner arm is reinforced with 35x35 mm aluminium pipe and equipped with a gas spring.
- **HOSE** - Black P2A1000 in strong PVC/ polyester web with steel spiral. Temperature from -40°C to +100°C.
- **CAPACITY** - Up to 2000 m³/h, making the ASA-3 arm suitable for all types of welding fumes and glue fumes, where large airflows are required.

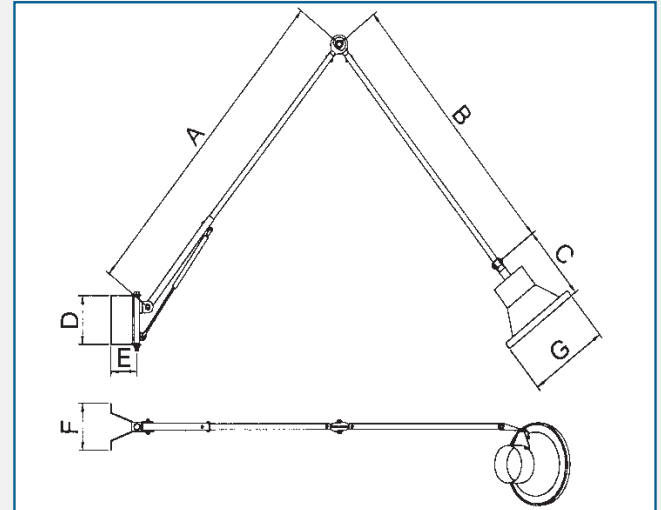


AES OFFER INSTALLATION AND SERVICE SUPPORT FOR ALL EQUIPMENT

PRESSURE DROP GRAPHS FOR ASA-3 ARM



DIMENSIONS



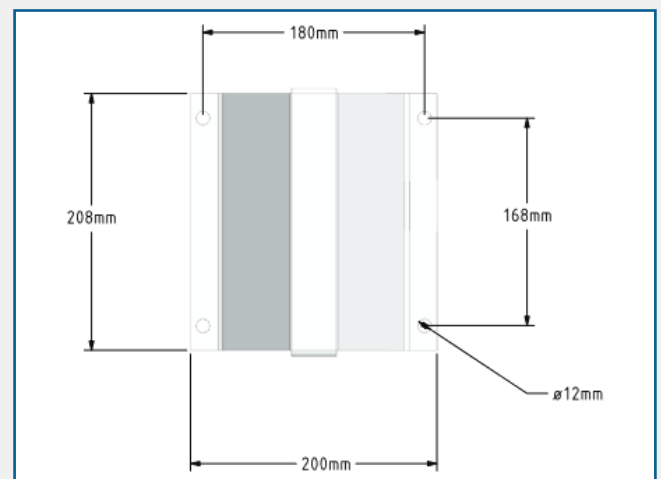
Dimension Table ASA-3 Arm - Carry Arm

Arm Length	A (mm)	B (mm)	D (mm)	E (mm)	F (mm)
2.0 m	870	700	206	120	200
3.0 m	1370	1210	206	120	200
4.0 m	1865	1700	206	120	200

Dimensions Table ASA-3 Arm - Hood

Hood	C (mm)	C (mm)
Ø80	225	200
Ø100	245	200
Ø125	240	200
Ø160	225	200
Ø200	180	200

WALL BRACKET DIMENSIONAL DRAWING



AES OFFER INSTALLATION AND SERVICE SUPPORT FOR ALL EQUIPMENT