

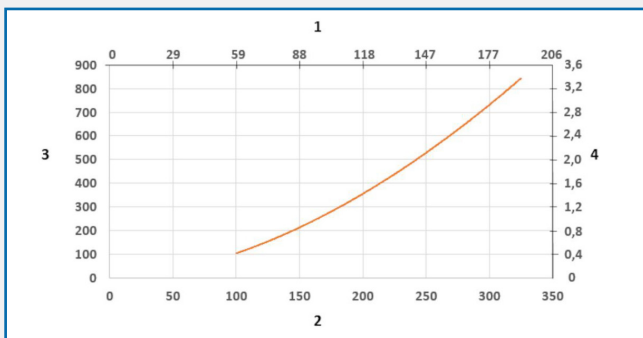
## NEDERMAN FX2 75 CHEM BENCHTOP EXTRACTION ARM



### TECHNICAL SPECIFICATION

Airflow	110 - 240 m <sup>3</sup> /h
Arm Length	(See diagrams)
Extraction Arm Diameter	Ø75 mm
Installation	(Indoor)
Material	Tubes in anodized aluminium with a white electrophoretic deposition coating. Joints in PP plastic. Duct connector in EPDM rubber. Minihood in PP plastic.
Fume Temperature	Max. 70 °C
Noise Level	58 dB(A) at 240 m <sup>3</sup> /h

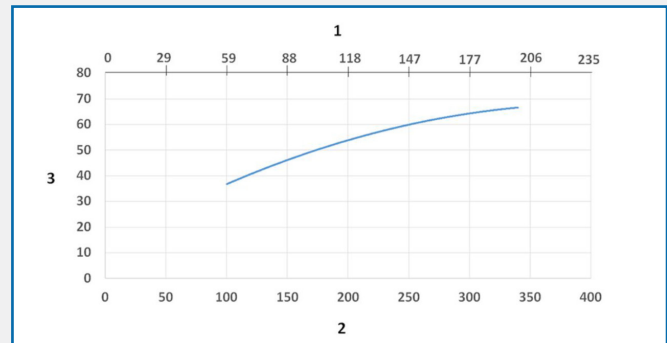
### PRESSURE DROP DIAGRAM



Pressure Drop diagram:

- 1) X-Axis: Air Flow Rate (cfm)
- 2) X-Axis: Air Flow Rate (m/h)
- 3) Y-Axis: Static Pressure Drop (Pa)
- 4) Y-Axis: Static Pressure Drop (in. wg.)

### SOUND LEVEL DIAGRAM



Sound Level diagram:

- 1) X-Axis: Air Flow Rate (cfm)
- 2) X-Axis: Air Flow Rate (m/h)
- 3) Y-Axis: Sound Pressure Level (dB) (A)

### DESCRIPTION

Nederman FX2 arms are made of lightweight anodized aluminium sections, with three adjustable, composite friction joints. Offering strength and durability combined with easy handling, they can be used in many types of environment. They are especially suitable for applications where small, flexible and easy-to-use arms are required.

With the profiles made of anodized aluminium with a white electrophoretic deposition coating, the arm is ideal for fume extraction in aggressive environments where corrosion resistance must be assured.

### FEATURES

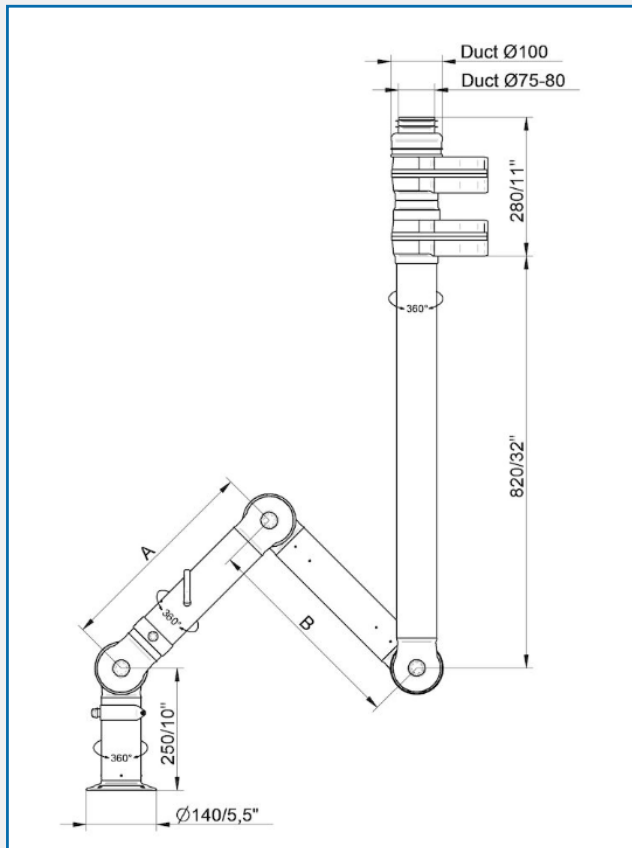
- Optimal efficiency and low noise provides safe and quiet working environment.
- Ceilings, walls and floors or fixed to worktops mountings and cut2fit extension profile gives maximum installation flexibility.
- The two outermost arm joints can rotate and swivel through 360°, which gives the unique maneuverability.
- The lean, smooth and aesthetic design allows arms to fit in well in any environment without compromising its durability and reliability.
- Highly integrated products that save customers' time and costs, as well as providing the reliability and functionality to deliver a better performance.

AES OFFER INSTALLATION AND SERVICE SUPPORT FOR ALL EQUIPMENT

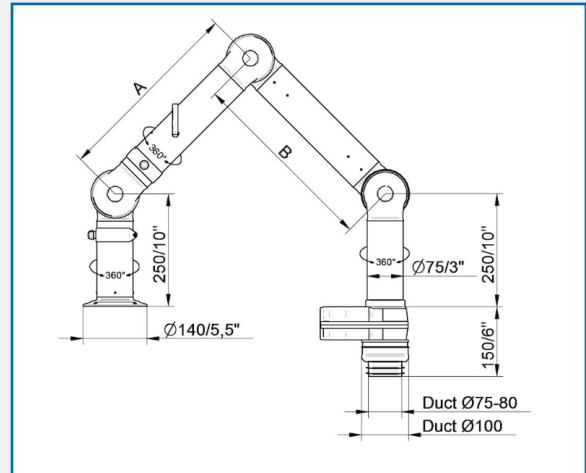
## NEDERMAN FX2 75 CHEM BENCHTOP EXTRACTION ARM

### PART CODES

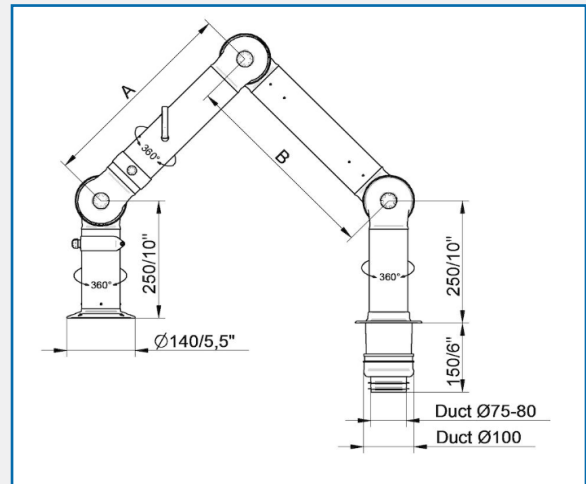
Description	Part Codes
FX2-CHEM-D75-L1100-Up-Low	70603144
FX2-CHEM-D75-L1100-Up-PLUS	70603244
FX2-CHEM-D75-L1100-Down-Low	70603344
FX2-CHEM-D75-L1100-Down-Through	70603444
FX2-CHEM-D75-L1500-Up-Low	70603544
FX2-CHEM-D75-L1500-Up-PLUS	70603644
FX2-CHEM-D75-L1500-Down-Low	70603744
FX2-CHEM-D75-L1500-Down-Through	70603844



- FX2-CHEM-D75-L1100-Up-PLUS
- Part Number: 70603244
- Max. working radius: 1090 mm (42.9 in)
- A: 420 mm (16.5 in)
- B: 420 mm (16.5 in)
- FX2-CHEM-D75-L1500-Up-PLUS
- Part Number: 70603644
- Max. working radius: 1450 mm (57.1 in)
- A: 500 mm (19.7 in)
- B: 700 mm (27.5 in)



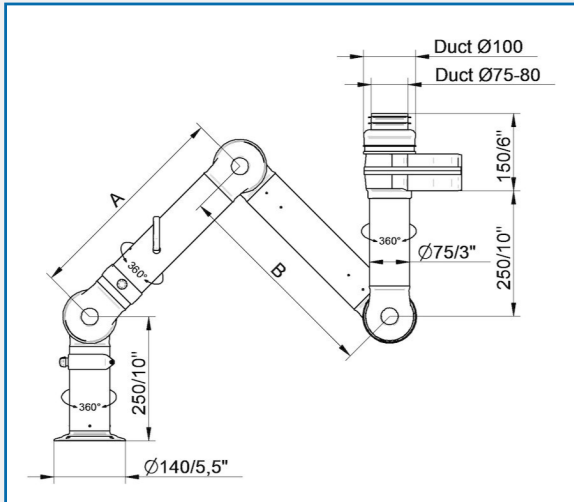
- FX2-CHEM-D75-L1100-Down-Low
- Part Number: 70603344
- Max. working radius: 1090 mm (42.9 in)
- A: 420 mm (16.5 in)
- B: 420 mm (16.5 in)
- FX2-CHEM-D75-L1500-Down-Low
- Part Number: 70603744
- Max working radius: 1450 mm (57.1 in)
- A: 500 mm (19.7 in)
- B: 700 mm (27.5 in)



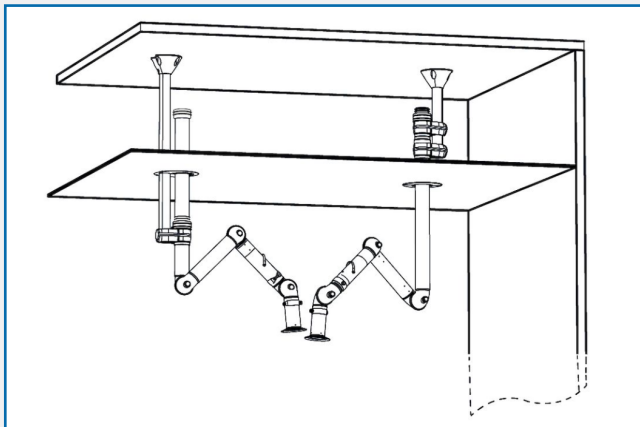
- FX2-CHEM-D75-L1100-Down-Through
- Part Number: 70603444
- Max. working radius: 1090 mm (42.9 in)
- A: 420 mm (16.5 in)
- B: 420 mm (16.5 in)
- FX2-CHEM-D75-L1500-Down-Through
- Part Number: 70603844
- Max. working radius: 1450 mm (57.1 in)
- A: 500 mm (19.7 in)
- B: 700 mm (27.5 in)

AES OFFER INSTALLATION AND SERVICE SUPPORT FOR ALL EQUIPMENT

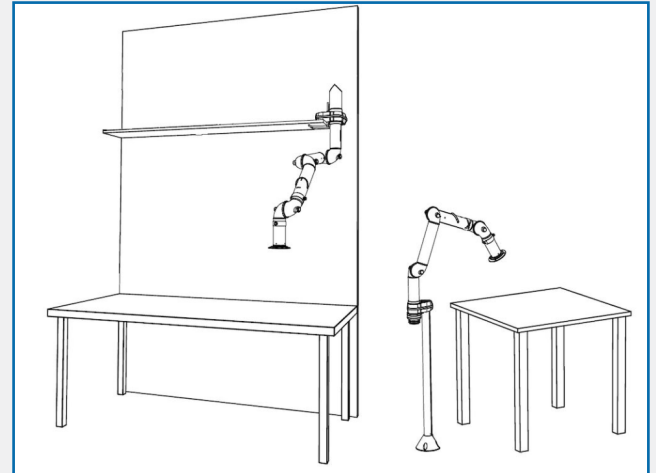
## NEDERMAN FX2 75 CHEM BENCHTOP EXTRACTION ARM



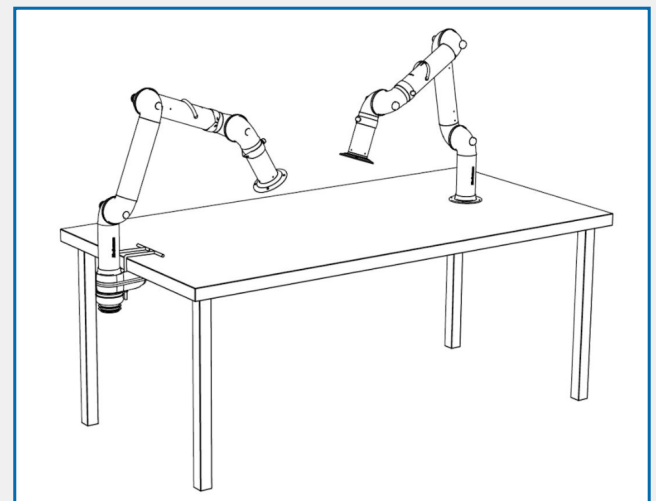
- FX2-CHEM-D75-L1100-Up-Low  
Part Number: 70603144  
Max. working radius: 1090 mm (42.9 in)  
• A: 420 mm (16.5 in)  
• B: 420 mm (16.5 in)
- FX2-CHEM-D75-L1500-Up-Low  
Part Number: 70603544  
Max. working radius: 1450 mm (57.1 in)  
• A: 500 mm (19.7 in)  
• B: 700 mm (27.5 in)



- **Ceiling mounting example:**  
Left: FX2-Up-Low arm with following accessories:  
-FX-Classic bracket  
-FX-Cut2fit extension-L1100  
-FX2-Alu duct-WHT  
-FX2-Duct connector-ORIG/CHEM-D100  
-FX-Ceiling cover plate
- Right: FX2-Up-PLUS arm with following accessories:  
-FX2-Bracket kit-D-50/75/100-L500  
-FX2-Ceiling cover plate-PLUS



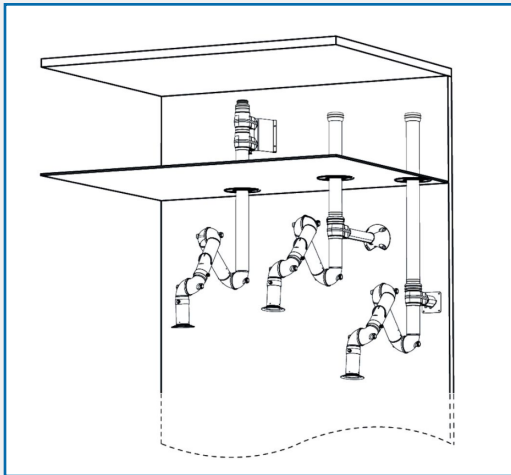
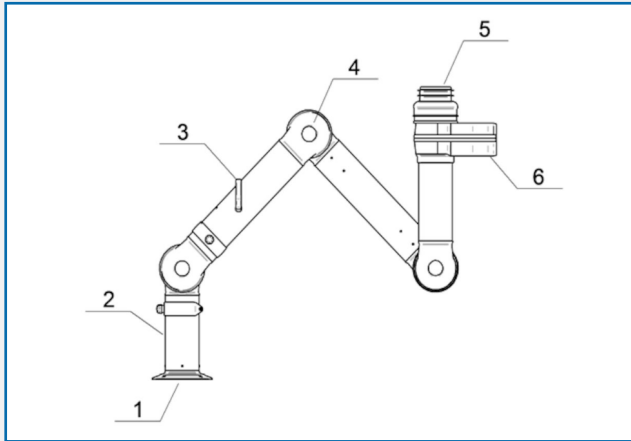
- **Other mounting examples:**  
Left: Shelf mounting with FX2-Up-Low arm and following accessories:  
-FX2-Bench bracket kit
- Right: Floor mounting with FX2-Up-Low arm and following accessories:  
-FX-Classic bracket  
-FX-Cut2fit extension-L1100



- **Bench mounting examples:**  
Left: FX2-Down-Low arm with following accessories:  
-FX2-Bench bracket kit-D-50/75/100
- Right: FX2-Down-Through arm

AES OFFER INSTALLATION AND SERVICE SUPPORT FOR ALL EQUIPMENT

## NEDERMAN FX2 75 CHEM BENCHTOP EXTRACTION ARM



**Material:**

- 1) Flange: PP
- 2) Tubes: Aluminium, anodized 10 µm, with white electrophoretic deposition coating
- 3) Damper adjustment handle: Aluminium: anodized 10 µm
- Internal spring: Stainless steel
- Damper blade: Conductive TP & PP plastic
- 4) Joints: PP with glass fibre reinforcement
- Plastic rings: PP with glass fibre reinforcement
- Axial locking rings: PP with glass fibre reinforcement
- Adjustment knobs: PA & EDS plastic
- Threaded shaft inside joints: Stainless steel
- 5) Duct connector: EPDM Rubber
- 6) Swivel: Aluminium, powder coating
- Rivets: Aluminium
- Bearings swivel: PP with glass fibre reinforcement

• **Wall mounting examples:**

- Left: FX2-Up-PLUS arm with following accessories:  
 -FX2-Wall-P BRKT kit-D-50/75/100-L190  
 -FX2-Ceiling cover plate-PLUS

Middle: FX2-Up-Low arm with following accessories:

- FX2-Bracket kit-D-50/75/100-L500
- FX2-Ceiling cover plate-PLUS
- FX2-Alu duct-WHT
- FX2-Duct connector-ORIG/CHEM-D100

Right: FX2-Up-Low arm with following accessories:

- FX2-Wall BRKT kit-Flat-L190-White
- FX2-Ceiling cover plate-PLUS
- FX2-Alu duct-WHT
- FX2-Duct connector-ORIG/CHEM-D100



AES OFFER INSTALLATION AND SERVICE SUPPORT FOR ALL EQUIPMENT