

CEVAC BASIC 4 KW



TECHNICAL SPECIFICATION

Dimensions WxLxH	550 x 420 x 1770 mm
Weight	76 kg
Noise Level	69dB (without external silencer) *
Voltage	230V or 400V 3-phase (0 wire required)
Fuse	16A or 10A
Motor Power	4kW, IE3 rated 3-phase motor
Max. Air Flow	420 m ³ /h
Max. negative pressure	-280mbar
No. of users	1-2 (with 32mm hose)

* Possible to equip with a combined HEPA filter/silencer, in the event that you do not have the possibility to exhaust externally.

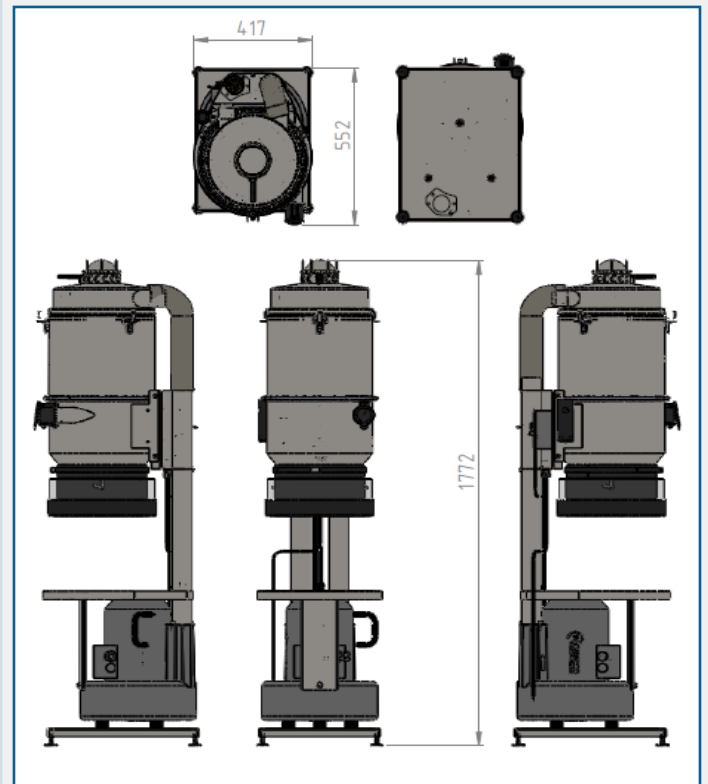
DESCRIPTION

The CEVAC Basic 4kW vacuum cleaner is a newly developed, effective and user-friendly machine.

Supplied as standard with remote start, a large conical 3m³ polyester filter and manual filter cleaning. The basic has a space-efficient and effective design in terms of performance, making it the perfect solution for smaller systems with 1-2 simultaneous users.

The Basic is suitable for use in various industrial applications such as automotive, paint shops, accommodation, schools, workshops, distribution and in smaller hotels. The machine is also very suitable as a replacement for older 1-phase vacuums.

DIMENSIONS DRAWING



AES OFFER INSTALLATION AND SERVICE SUPPORT FOR ALL EQUIPMENT