

GEOVENT SOUNDBOX2 SIZE 146 - 630 FOR GEOVENT FANS

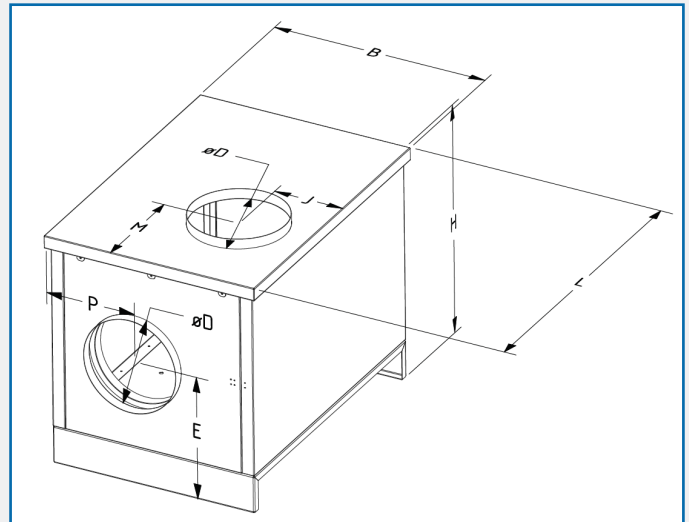


DESCRIPTION

The fans from Geovent can be placed in a fully galvanized sound box, which reduces the noise significantly. At the same time, the fan and the motor are protected from the environment.

The sound box completely encloses the fan and the motor, so noise reduction and protection is maximized. The motor is cooled with air through a grid in the bottom of the sound box.

DIMENSIONS



NOTE: When the fan is built into a soundbox it comes without feet. Custom versions such as AISI 316L are available on request at an additional charge.

FEATURES

Benefit of the sound box:

- Fully galvanized steel construction protects against corrosion.
- Effective noise reduction, 10 - 15 db(A).
- A flexible connection is built in to avoid vibration.
- Made with a sealed flange for direct connection of Spiro duct.
- Easy to lift with straps, a forklift etc.
- Easy and simple service access from two sides of the soundbox.
- Access from both sides gives flexibility when designing the installation.
- Light-weight construction.

DIMENSIONS FOR SOUNDBOXES

Type	146/180/200	225/250	315	355/400	450/500	560/630
B	518	615	715	873	986	1290
H	592	652	778	915	1046	1277
L	685	784	984	1080	1272	1390
ØD	200	250	315	400	500	630
E	330	345	415	485	546	673
P	226	268	298	354	420	525
M	212/262	254	335	308	379	429
J	169/189	205	233	269	318	393
Weight	34 kg	42 kg	63 kg	81 kg	105 kg	155 kg

AES OFFER INSTALLATION AND SERVICE SUPPORT FOR ALL EQUIPMENT

GEOVENT SOUNDBOX2 SIZE 146 - 630 FOR GEOVENT FANS

PART CODE/ORDERING TABLE

Item	Part Code
Soundbox2 146	38-072
Soundbox2 180	30-072
Soundbox2 200	31-072
Soundbox2 225	32-072
Soundbox2 250	33-072
Soundbox2 315	34-072
Soundbox2 355	34-572
Soundbox2 400	35-072
Soundbox2 450	35-572
Soundbox2 500	36-572
Soundbox2 560	35-872
Soundbox2 630	35-772

ACCESSORIES

Item	Part Code
Safety switch 16Amp	92-211
Safety switch 45Amp	92-212

Reduction, sleeve Ø200MF/NP Ø125	56-052
Reduction, sleeve Ø200MF/NP Ø100	56-053
Reduction, sleeve Ø200MF/NP Ø160	56-054
Reduction, sleeve Ø250MF/NP Ø160	56-055

LOCK AND HANDLES ON SOUNDBOX2



SOUNDBOX2 AVAILABLE IN DIFFERENT SIZES



AES OFFER INSTALLATION AND SERVICE SUPPORT FOR ALL EQUIPMENT