

NEDERMAN N24 FAN - PORTABLE FAN



TECHNICAL SPECIFICATION

Installation	(Indoor), (Outdoor)
Material	Fan casings: Galvanised sheet steel Impeller: Die cast aluminium
Airflow	1500 m ³ /h
Capacity (Max. Airflow)	1500 m ³ /h
Power	0.75 kW
Frequency	50 Hz
No. of Phases	1
Weight	17 kg
Electric Plug	Euro (CEE 17/2 P+E)
Sound Level	61 dB(A) - at 1200 m ³ /h

DESCRIPTION

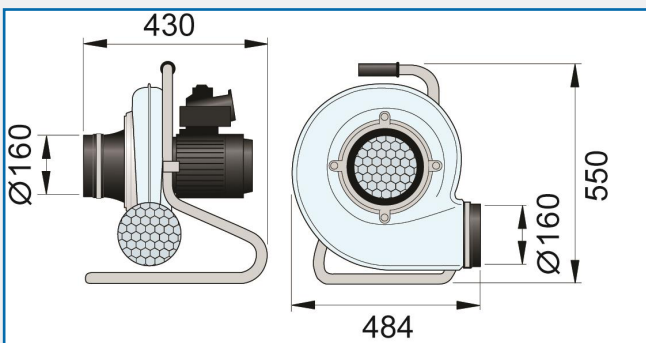
The Nederman Portable Fan N24 is a simple and powerful ventilation unit for service, repairs and other temporary work.

Ideal as an extractor for welding fumes, steam dust or for providing fresh air during work in confined and enclosed spaces. A compact and easy-to-use fan which, in combination with inlet and outlet connections, makes a flexible and versatile unit with a wide range of applications.

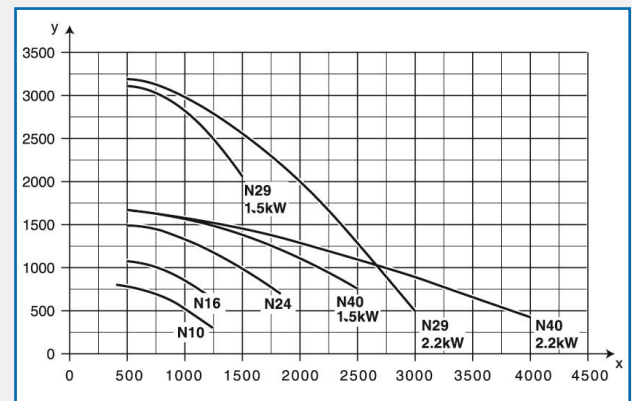
FEATURES

- Compact
- Easy to use
- Stand included, wheel set as accessory
- On/off switch and motor protector included

DIMENSIONS DRAWING



AIRFLOW & STATIC PRESSURE GRAPH



AES PART CODE/ORDERING TABLE

Description	Power Voltage	Amperage	Model
Portable Fan N24, with IEC 60309 2P+E 110 V power plug	110 V	13.5	14511922
Portable Fan N24, with IEC 60309 2P+E 230 V power plug	230 V	6.5	14512222
Portable Fan N24, with CEE 7/4 power plug	230 V	6.5	14511322

AES OFFER INSTALLATION AND SERVICE SUPPORT FOR ALL EQUIPMENT