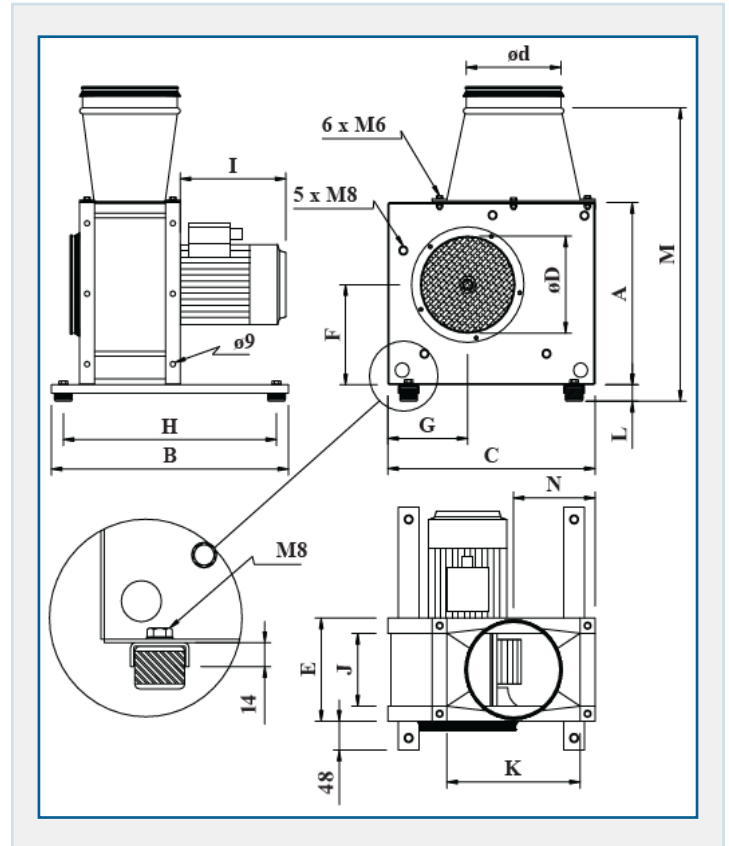


GEOVENT CENTRIFUGAL FAN MEF 630



DESCRIPTION

The Geovent MEF centrifugal fan with closed backward curving B-wheel and directly driven flange motor is suitable for continuous extraction within industry. Applications include the extraction of welding smoke, exhaust gases, grinding dust and vapours.

Produced in sizes with Airflow up to 24000 m³/h – Pressure up to 4500 Pa. The fan has a high efficiency and is suitable for PID/constant pressure regulation.

The fan is made 100% galvanized steel for optimum corrosion resistance and therefore it is suitable for outdoor roof or wall installation.

As standard we supply supporting bracket with vibration absorbers, inlet nozzle with net and clamp for mounting the required outlet flange.

Also available, LEF fans typically used for general ventilation as well as for smaller process extraction jobs where a high pressure is not required and LEX / MEX ATEX versions

Dimension Table for MEF Fans (mm)

Type	630
A	989
B	800
C	1175
D	630
E	*
F	446
G	563
H	467
I	760
J	*
K	400
L	800
M	1340
N	425
Weight	135kg*

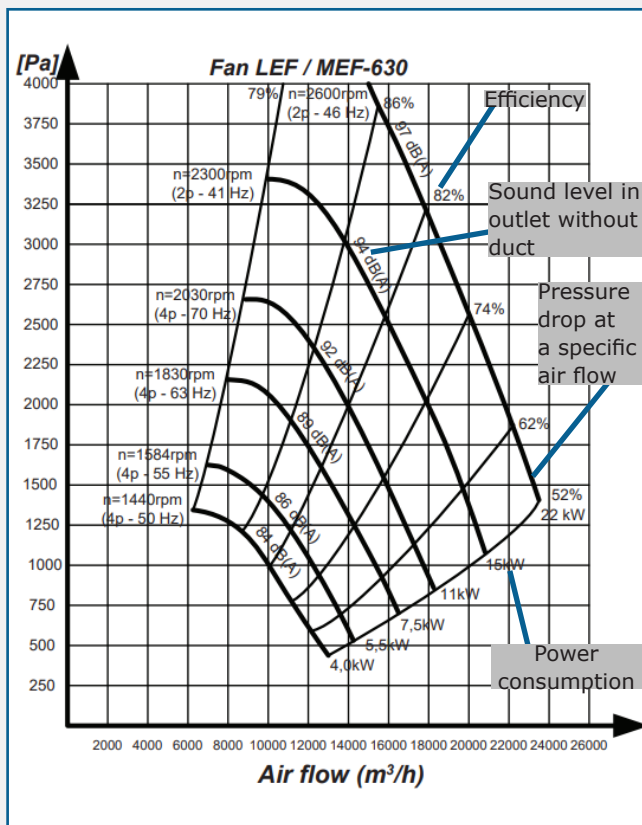
*depends on motor choice

AES OFFER INSTALLATION AND SERVICE SUPPORT FOR ALL EQUIPMENT

GEOVENT CENTRIFUGAL FAN MEF 630

PRESSURE LOSS

Dust amounts and corn size. The dust amount from the extracted air may not exceed 12 g/m³. The size of the dust particles may not exceed 6 mm³. The dust/steams may not be sticky.



ACCESSORIES

Complete range of accessories, including options, such as flex connection, mountings, rain shield, motor protection, pressure monitor and soundproof box.

Soundproof box for sound level reduction. The fan is enclosed in a wind and waterproof galvanised box. The sound is typically subdued to 8-15 dB(A)



Outlet flange, in hot-galvanised steel. Supplied in several different sizes, used to transition from the fan's square yield.

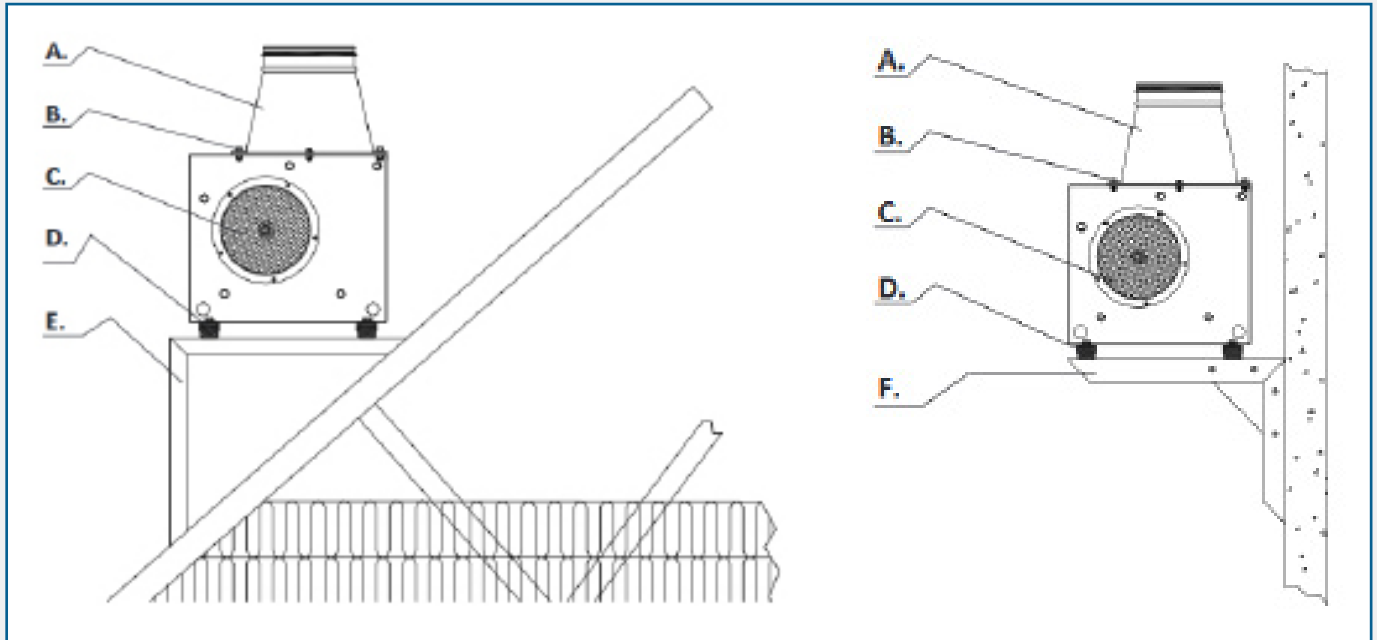


TECHNICAL SPECIFICATION

Motor	Directly driven by a B5
Flange Motor	Sealing Class IP-55
Voltage	3x400V or 1x230V / 50Hz
Airflow (MSFG)	See fan curve overleaf
Pressure (MSFG)	See fan curve overleaf

AES OFFER INSTALLATION AND SERVICE SUPPORT FOR ALL EQUIPMENT

GEOVENT CENTRIFUGAL FAN MEF 630



MOUNTING CONFIGURATIONS

A - Outlet flange
B - Clamp
C - Inlet in sleeve

D - Supporting Angles
E - Roof Bracket GB15°-45°
F - Wall Bracket

PART CODES

Part. Number	Model	Power (kW)	Current (A)
35-750	MEF-630-3*	22	38.1
35-750A	MEF-630-3*	15	26.4

*Requires the use of an external frequency inverter.

AES OFFER INSTALLATION AND SERVICE SUPPORT FOR ALL EQUIPMENT