

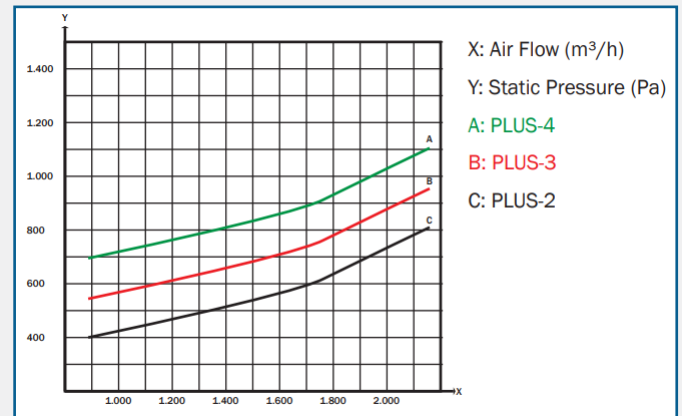
AKROBAT PLUS



TECHNICAL SPECIFICATION

Type	Wall Type
Support Type	External Support
Max. Operating Temperature	80°C
Application	Fume, Dust and Oil Mist
Hood Material	Plastic
Hose Material	PVC
Hose Length	2m - 3m - 4 m
Hose Diameter	Ø160 mm
Rec. Air Flow	1.200 - 2.100 m ³ /h

PRESSURE DROP

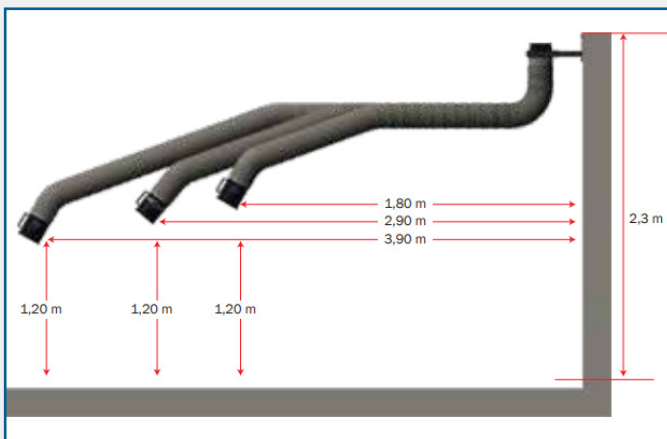


DESCRIPTION

The Akrobat PLUS series extraction arm is used for a single work station in conjunction with a fan or for multi-user stations using ducting connected to a central extraction and filter unit.

In some cases, the flexible acrobat suction arms of the Akrobat PLUS series may not be the right solution. Contact us at AES and we'll help you find the most suitable solution for your application.

MAX. OPERATING DISTANCE



AES OFFER INSTALLATION AND SERVICE SUPPORT FOR ALL EQUIPMENT