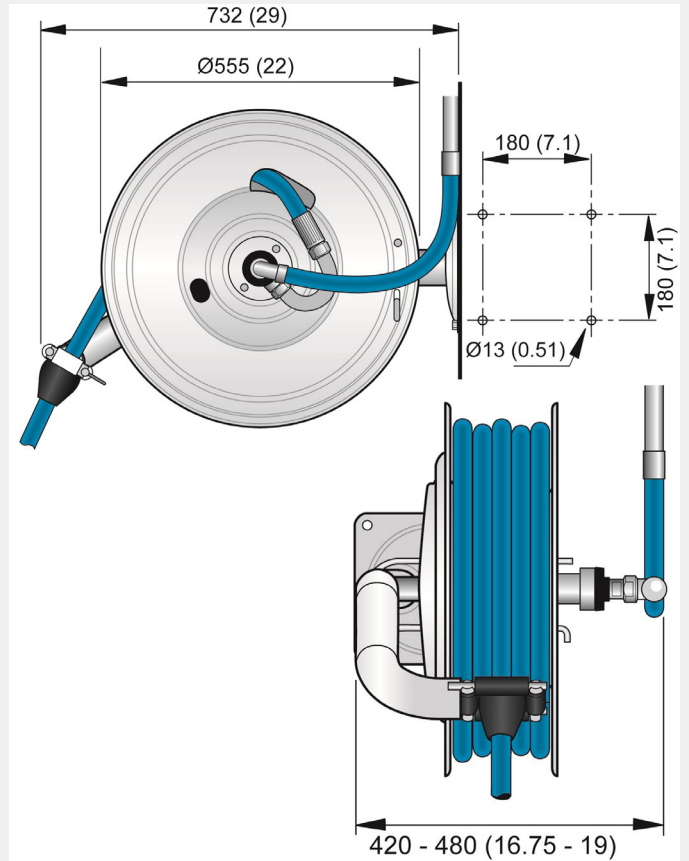


# NEDERMAN 886 FOOD GRADE STAINLESS STEEL HOSE REEL



## DIMENSIONS



## DESCRIPTION

This stainless steel hose reel, made entirely of stainless steel, is designed specifically for the food processing industry. It is very easy to clean thanks to rounded edges and features an easy to dismantle hose outlet, an externally mounted swivel, and a minimum number of material joints.

## FEATURES

- Convenient and safe operation
- Unique design makes easy cleaning
- Up to 25 m (82 ft.) hose capacity
- Meets international hygienic requirement
- Robust frame and reel.

## TECHNICAL SPECIFICATIONS

Weight	Reel without hose: 28kg
Reel operation	Spring Loaded Pull System
Hose	Delivered Without Hose
Usable Materials	Water, Food Grade, Compressed Air, Steam



AES OFFER INSTALLATION AND SERVICE SUPPORT FOR ALL EQUIPMENT

## NEDERMAN 886 HOSE REEL

### HOSE REELS

Use for	Max Working Pressure : MPa	Distribution hose. Ø,mm	Max Hose Length, m	Weight (Kg)	Model No.
Air/Water	10	12.5	25	28	32800386
Water High Pressure	25	10	25	28	30801386
Water	10	12.5	25	28	30800386
Water	2	19	18	28	30800186
Water	2	25	10	28	30802186
Water/ Steam	0.6 (Steam, 160 °C) 2 Water	19	18	28	30805286
Water/ Steam	0.6 (Steam, 160 °C) 2 Water	25	10	28	30805086

### HOSES TYPES

Hose Type	Specification	Temperature range, °C	Hose fittings in free hose end, distribution hose	Hose fittings in free hose end, Inlet hose	Hose connection on reel, Distribution hose	Hose connection on reel, Inlet hose
H	Cover and inner tube in synthetic rubber. Single braid	-40 - +155	Female 60° cone, stainless steel. With rubber hose grip	Female 60° cone, stainless steel	Male 60° cone	Male 60° cone
E	Cover in NBR/PVC and inner tube in food grade quality NBR. Synthetic textile braid	-30 - +100	Male 60° cone, chrome plated	Female 60° cone, chrome plated	Male 60° cone	Male 60° cone
G	Cover and inner tube in synthetic rubber. Single steel braid	-40 - +155	Female 60° cone, chrome plated. With rubber hose grip	Female 60° cone, chrome plated	Male 60° cone	Male 60° cone
I	Cover and inner tube in SBR based rubber. Single Steel Braid	-40 - +100	Female 60° cone, chrome plated	Female 60° cone, chrome plated	Male 60° cone	Male 60° cone
F	Cover in NBR/PVC and inner tube in food grade quality NBR. Synthetic textile braid.	-20 / +100	Male 60° cone, stainless steel	Female 60° cone, stainless steel	Male 60° cone	Male 60° cone
N	Cover in NBR/PVC and inner tube in food grade quality NBR. Synthetic textile braid. Max pressure: 0,6 MPa (Steam(164 °C)) and 2,0 MPa (Water)	-20 - +164	Male 60° cone, chrome plated	Female 60° cone, chrome plated	Male 60° cone	Male 60° cone

AES OFFER INSTALLATION AND SERVICE SUPPORT FOR ALL EQUIPMENT

## NEDERMAN 886 HOSE REEL

### HOSES

Description	Hose Type	Use for	Hose Diameter (mm)	Max working Pressure	Model No.
Connection Hose (1m)	I	Water	12.5	10	30344854
Connection Hose (1m)	G	Water High Pressure	10	25	30344852
Connection Hose (1m)	H	Water High Pressure	10	25	30373669
Connection Hose (1m)	E	Water - Food Grade	12.5	2	30373670
Connection Hose (1m)	E	Water - Food Grade	19	2	30373674
Connection Hose (1m)	E	Water - Food Grade	25	2	30373664
Connection Hose (1m)	F	Water - Food Grade	12.5	2	30373671
Connection Hose (1m)	F	Water - Food Grade	19	2	30373675
Connection Hose (1m)	F	Water - Food Grade	25	2	30373666
Connection Hose (1m)	N	Water	19	10	30377082
Connection Hose (1m)	N	Water/Steam	25	0.6	30377081
Distribution Hose	G	Water High Pressure	10	25	30371900
Distribution Hose	H	Water High Pressure	10	25	30371953
Distribution Hose	I	Water	12.5	10	30377078
Distribution Hose	E	Water - Food Grade	12.5	2	30371898
Distribution Hose	E	Water - Food Grade	19	2	30371897
Distribution Hose	E	Water - Food Grade	25	2	30373663
Distribution Hose	F	Water - Food Grade	12.5	2	30371951
Distribution Hose	F	Water - Food Grade	19	2	30371950
Distribution Hose	F	Water - Food Grade	25	2	3037665
Distribution Hose	N	Water/Steam	19	0.6	30377080
Distribution Hose	N	Water/Steam	25	0.6	30377079

AES OFFER INSTALLATION AND SERVICE SUPPORT FOR ALL EQUIPMENT