

NEDERMAN HOSE REEL 893 COMPRESSED AIR/WATER



DESCRIPTION

Medium-sized reel in robust open design. Thanks to the open design, the reels are very easy to service, maintain and keep clean.

Can be installed on wall or on the ceiling. Versatile and easily installed in industrial and workshop environments.

FEATURES

- Open design for easy cleaning and servicing
- Unique stand design offers mounting flexibility

TECHNICAL SPECIFICATION

Product Name	Hose Reel 893
Material Recycling (%)	100
Connection hose length (m)	1
Colour	Black drum/Blue cover
Weight	14,5
Note	For suction hose
Corrosion resistance	(Standard)
Electric/Spring driven	(Spring)

HOSE SPECIFICATION

Type of hose	Media	Delivered with hose	Distribution hose length (m)	Diameter, connection hose (mm)	Distribution hose diameter (mm)	Max working pressure (Mpa)	Max hose length	No.
	Compressed air, water	No	10		12,5	1,5	10	1
	Compressed air, water	No	15		10	1,5	15	2
B	Compressed air, water	Yes	15	12,5	10	1,5		3
B	Compressed air, water	Yes	10	12,5	12,5	1,5		4
E	Compressed air, water	Yes	10	12,5	12,5	2		5

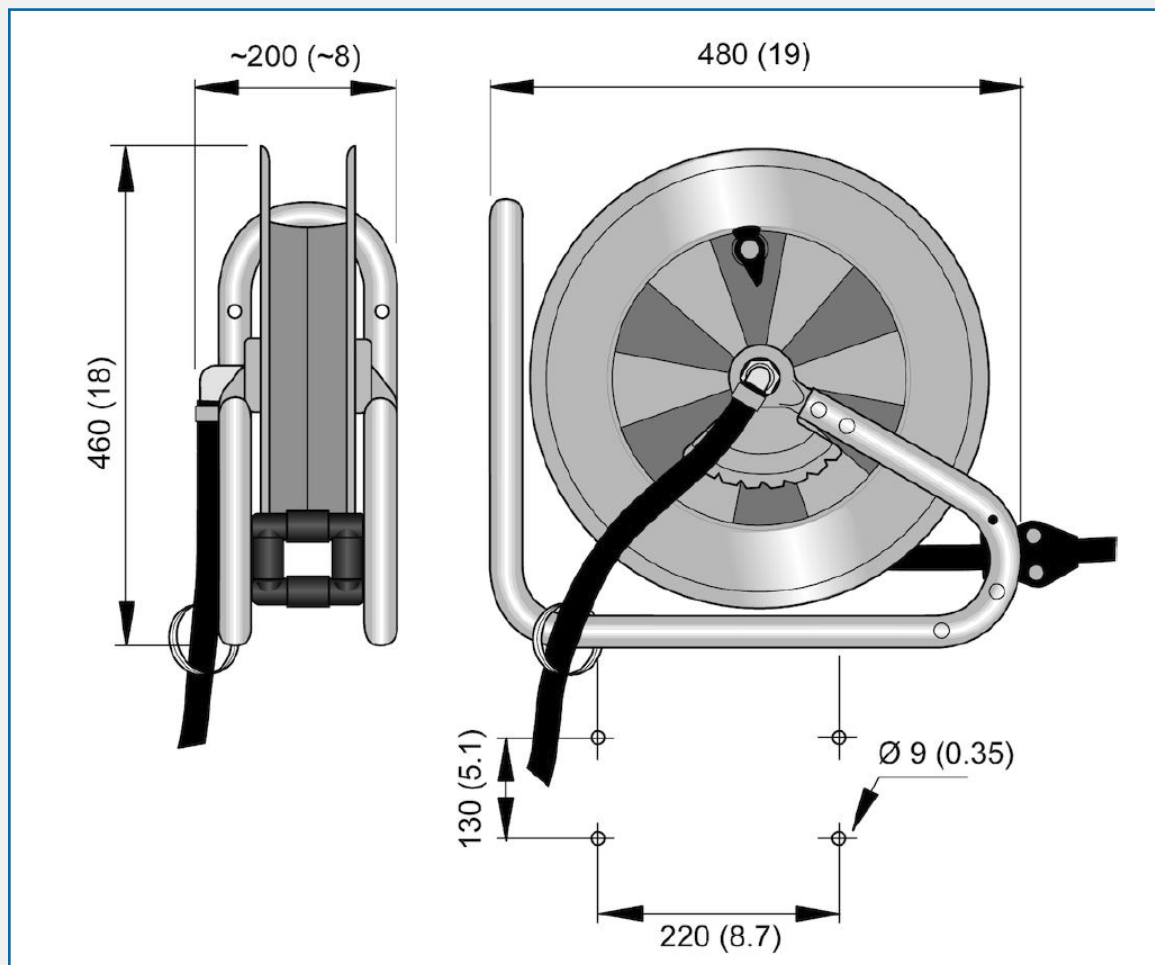
AES OFFER INSTALLATION AND SERVICE SUPPORT FOR ALL EQUIPMENT

NEDERMAN HOSE REEL 893 COMPRESSED AIR/WATER

HOSE SPECIFICATION

Hose type	Specification	Temperature range, °C	Hose fittings in free hose end, distribution hose	Hose fitting on free hose end, inlet hose	Hose connection on reel, distribution hose	Hose connection on reel, inlet hose
B	Cover in NBR/PVC and inner tube in NBR. Synthetic textile braid.	-30 - 100			Hose nipple + clip	Hose nipple 1/2" + clip
E	Cover in NBR/PVC and inner tube in food grade quality NBR. Synthetic textile braid.	-30 - 100		Female 60° cone, chrome plated	Male 60° cone	Male 60° cone

DIMENSIONS DRAWING



AES OFFER INSTALLATION AND SERVICE SUPPORT FOR ALL EQUIPMENT