

NEDERMAN 888/889 HOSE REEL FOOD GRADE STAINLESS STEEL



DESCRIPTION

These reel are ideal in environments with high humidity, where hygiene is of the utmost importance or where there is a risk of chemical attack.

Thanks to the open design, the reels are very easy to service, maintain and keep clean.

Can be installed on wall or on the ceiling.

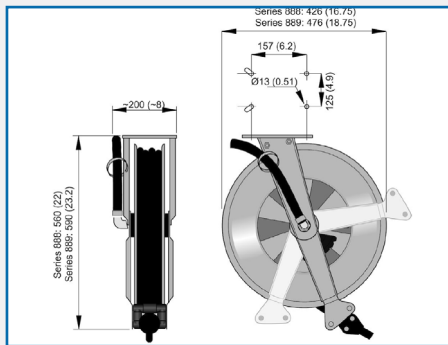
FEATURES

- All components in stainless steel and chemically resistant composite
- Open design for ease of cleaning
- Outlet position can be adjusted through 120° for optimum pull-out and pull-in angle.

TECHNICAL SPECIFICATION

Product Name	Hose Reel 888 Stainless
Connection hose length (m)	1
Colour	Stainless

DIMENSIONS DRAWING



HOSE SPECIFICATION

Type of hose	Media	Delivered with hose	Distribution hose length (m)	Diameter, connection hose (mm)	Distribution hose diameter (mm)	Max working pressure (Mpa)	Weight (kg)	Max hose length	Part Code
E	Water, food	Yes	10	12,5	12,5	2	18	10	30803688
	Water, food	No			12,5	7,5	14	10	30803588
	Water	No			12,5	2	14	15	30803589
E	Water	Yes	15	12,5	12,5	2	18		30803689

Hose type	Specification	Temperature range °C	Hose fittings in free hose end, distribution hose	Hose fitting on free hose end, inlet hose	Hose connection on reel, distribution hose	Hose connection on reel, inlet hose
E	Cover in NBR/PVC and inner tube in food grade quality NBR. Synthetic textile braid.	-30 - 100	Male 60° cone, chrome plated	Female 60° cone, chrome plated	Male 60° cone	Male 60° cone

AES OFFER INSTALLATION AND SERVICE SUPPORT FOR ALL EQUIPMENT