

NEDERMAN HOSE REEL 888/889 HIGH PRESSURE WATER

DESCRIPTION

Thanks to the open design, the reels are very easy to service, maintain and keep clean.

Can be installed on wall or on the ceiling.

The 889 Hose Reel is fitted with slightly larger drums and therefore are able to take longer hoses than series 888.

FEATURES

- Outlet position can be adjusted through 120° for optimum pull-out and pull-in angle
- Spring power can easily be adjusted from the outside
- Ratchet easily disengaged when required

TECHNICAL SPECIFICATION

Product Name	Hose Reel 888/889
Connection hose length (m)	1
Corrosion resistance	Standard
Electric/Spring driven	Spring



HOSE SPECIFICATION

Type of hose	Media	Delivered with hose	Colour	Distribution hose length (m)	Diameter, connection hose (mm)	Distribution hose diameter (mm)	Max working pressure (Mpa)	Weight	Max hose length	No.
G	Water high pressure	Yes	Black drum/ Blue arm	15	10	10	25	16		1
G	Water high pressure	No	Black drum/ Blue arm			10	25	11	15	2
	Water high pressure	No	Black drum/ Blue arm			10	25	11	18	3
G	Water high pressure	Yes	Black drum/ Blue arm	18	10	10	25	16		4

AES OFFER INSTALLATION AND SERVICE SUPPORT FOR ALL EQUIPMENT

NEDERMAN HOSE REEL 888/889 HIGH PRESSURE WATER

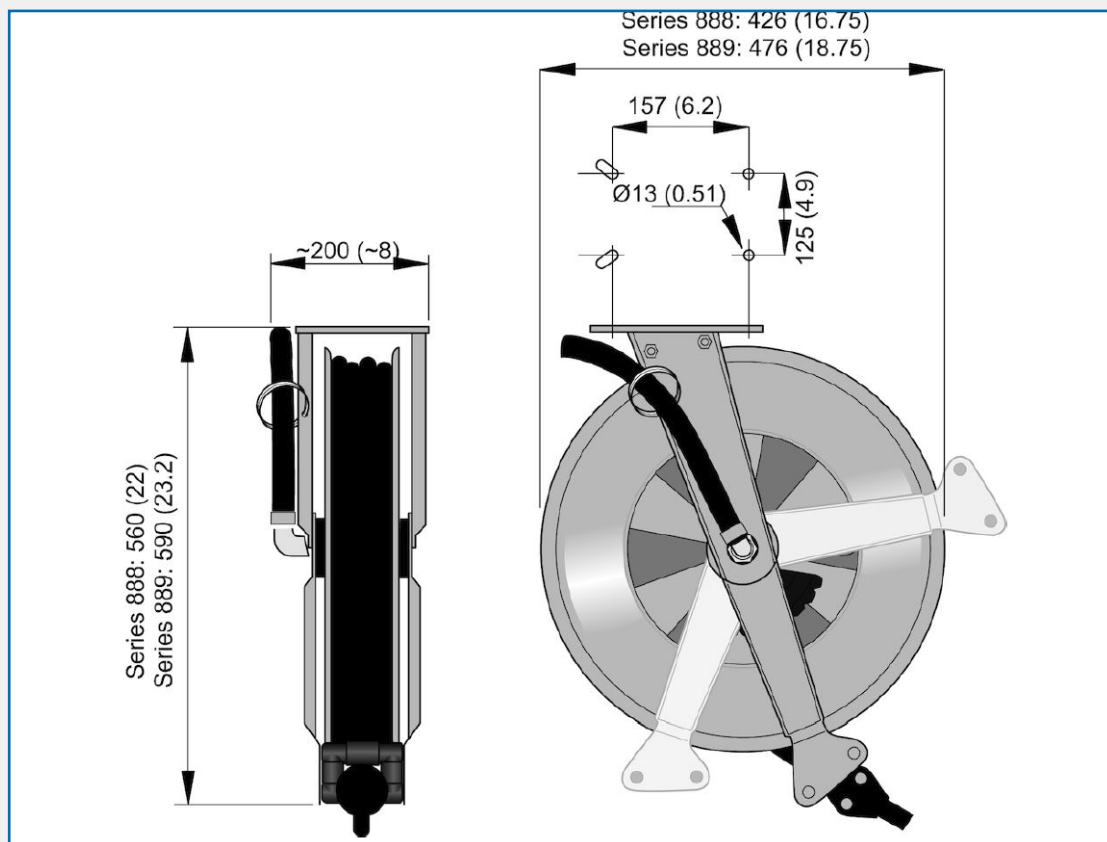
HOSE SPECIFICATION

Part Code	No.
30801888	1
30801788	2
30801789	3
30801889	4

HOSE SPECIFICATION

Hose type	Specification	Temperature range, °C	Hose fitting on free hose end, inlet hose	Hose connection on reel, distribution hose	Hose connection on reel, inlet hose
G	Cover in NBR/PVC and inner tube in NBR. Synthetic textile braid.	-40 - 155	Female 60° cone, chrome plated	Male 60° cone	Male 60° cone

DIMENSION DRAWINGS



AES OFFER INSTALLATION AND SERVICE SUPPORT FOR ALL EQUIPMENT