

BOFA VOLUME EXTRACTION ACCESSORIES



DESCRIPTION

BOFA offer a wide range of volume LEV extraction accessories. From extraction arms with diameters of 32mm for intricate soldering up to 75mm arms for heavy duty applications such as transformer production. Down draft trays and table top cowls for specific production demands are also available.

BOFA Tips and Volume Extraction Accessories

32mm EsD stay Put Arm with Funnel	A1020044
32mm EsD stay Put Arm with Nozzle	A1020046
50mm EsD stay Put Arm with Funnel	A1020045
50mm EsD stay Put Arm with Nozzle	A1020047
50mm EsD stay Put Arm with slot	A1020049
75mm EsD stay Put Arm Unit Mounted	A1020042
75mm EsD stay Put Bench Bracket	A1020043
38mm stainless EsD Arm w/Stayput Nozzle	A1020160
38mm stainless EsD Arm w/Stayput Funnel	A1020184
50mm EsD Cowl	A1020037
50mm Clear Cowl	A1020036
75mm EsD Cowl (Black)	A1020039
75mm Clear Cowl	A1020038
50mm EsD Down Draft Tray	A1020040
75mm EsD Down Draft Tray	A1020041
Table Bracket for 32mm and 50mm	A1020051
Automatic Flush system seal for 32mm and 50mm	A1020052
50mm EsD stay Put Arm with Plenum Funnel	A1020179
50mm stay Put Arm with Nozzle - 1m Long (unit mounted)	A1020048
Light Arm - White	A1020168
Light Arm - Black	A1020169



AES OFFER INSTALLATION AND SERVICE SUPPORT FOR ALL EQUIPMENT

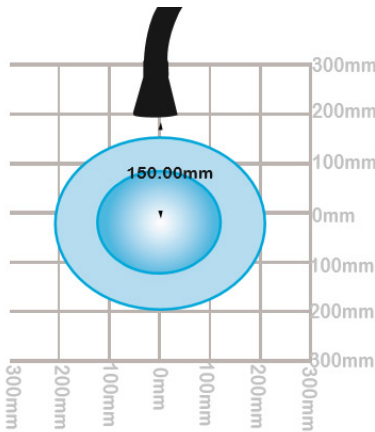
BOFA VOLUME EXTRACTION ACCESSORIES

50mm Stay Put Arms

The arms are made of black carbon loaded compressed polystyrene construction.

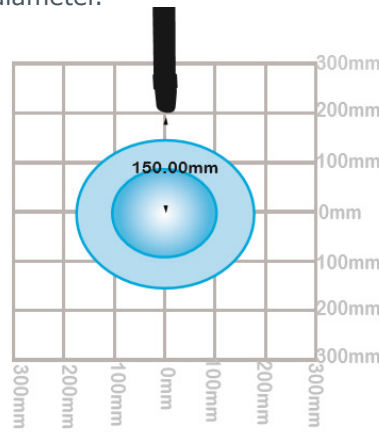
A1020045

50mm stay Put Arm with funnel 790mm in length, funnel 100mm in diameter.



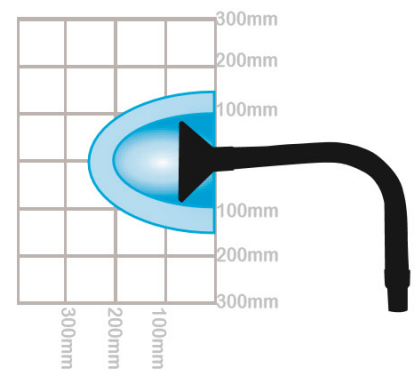
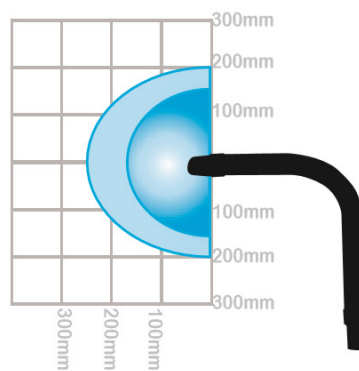
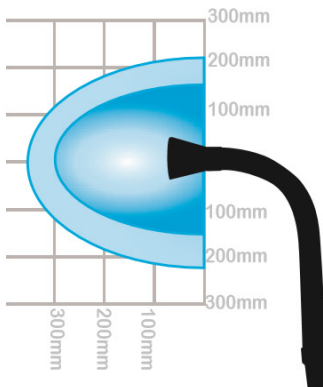
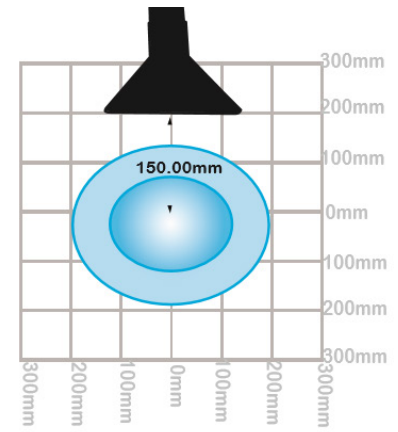
A1020047

50mm stay Put Arm with nozzle 790mm in length, nozzle has a 90 degree slant and is 40mm in diameter.



A1020049

50mm stay Put Arm with slot 790mm in length, fish tail 200mm across and 20mm wide.

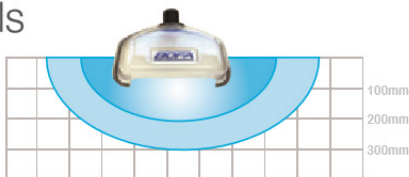


Diagrams above highlight the capture area of the stay put arms when extracting at a flow rate of 60m³/hr (darker shading) and 100m³/hr. These measurements were taken with the arm resting on the work surface

50mm Cowls and Down-Draft Trays

The 50mm cowls are made of black conductive H.I polystyrene construction. The clear 50mm cowls are made from clear PTG plastic. The 50mm downdraft tray carcass is made of conductive H.I polystyrene. The tray is stainless steel.

Cowls



The capture area of the 50mm cowl is taken from in front of the cowls, shown above. The height of the capture area is 100mm. 50mm cowl dimensions: 350 x 200 x 120mm

Downdraft Trays



The capture area is equal to the size of the stainless steel tray, which is 290 x 200mm. The tray will also capture fumes up to 100mm above the tray. 50mm downdraft tray dimensions: 360 x 310 x 75mm

AES OFFER INSTALLATION AND SERVICE SUPPORT FOR ALL EQUIPMENT

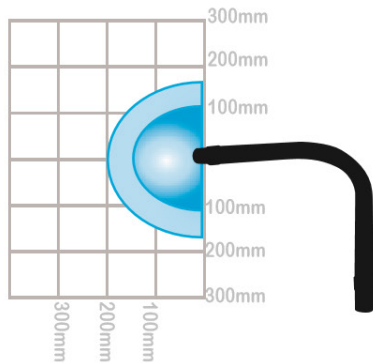
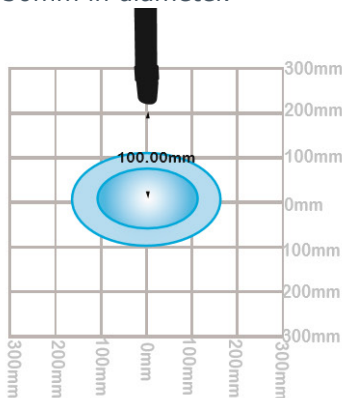
BOFA VOLUME EXTRACTION ACCESSORIES

32 and 75mm Stay Put Arms

The arms are made of black carbon loaded compressed polystyrene construction.

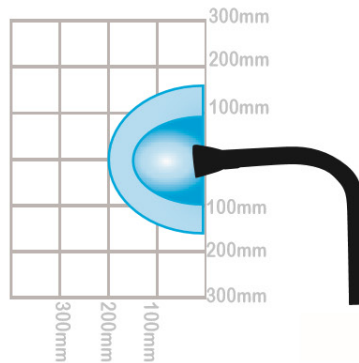
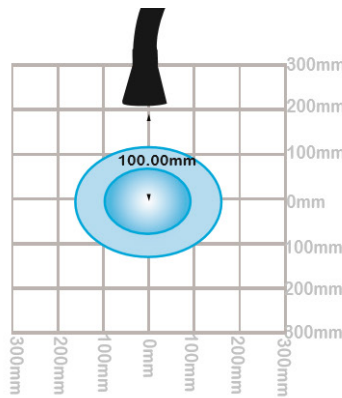
A1020046

32mm stay Put Arm with nozzle, 750mm in length, nozzle has a 90 degree slant and is 30mm in diameter.



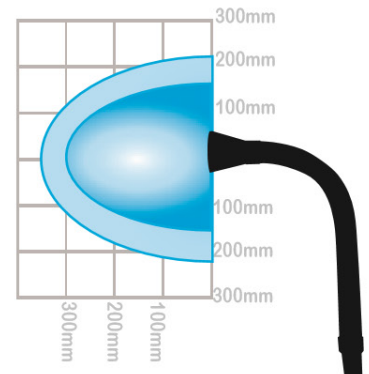
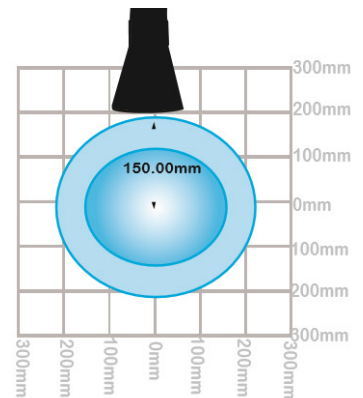
A1020044

32mm stay Put Arm with funnel 750mm in length, funnel is 75mm in diameter.



A1020043

75mm stay Put Arm with funnel 950mm in length, funnel 160mm in diameter.



Diagrams above highlight the capture area of the stay put arms when extracting at a flow rate of 30m³/hr (darker shading) and 50m³/hr for 32mm arms and 120m³/hr (darker shading) and 190m³/hr for 75mm arms. These measurements were taken with the arm situated above the working area.

75mm Cowls and Down-Draft Trays

The 75mm cowls are made of black conductive H.I polystyrene construction. The clear 75mm cowls are made from clear PTG plastic. The 75mm downdraft tray carcass is made of aluminium. The tray is stainless steel.

Cowls



The capture area of the 75mm cowl is taken from in front of the cowls, shown above. The height of the capture area is 160mm. 75mm cowl dimensions: 560 x 180 x 180mm

Downdraft Trays



The capture area is equal to the size of the stainless steel tray, which is 340 x 255mm. The tray will also capture fumes up to 100mm above the tray. 75mm downdraft tray dimensions: 360 x 430 x 90mm

AES OFFER INSTALLATION AND SERVICE SUPPORT FOR ALL EQUIPMENT