

NEDERMAN FAN N 24 - THREE PHASE



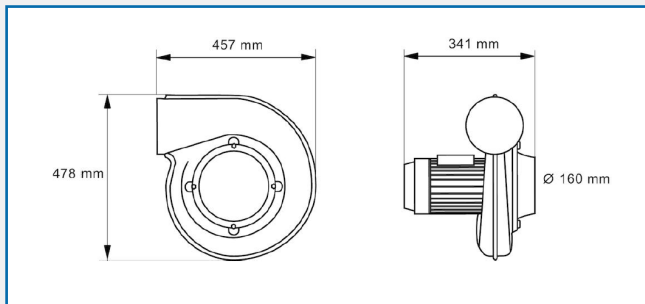
TECHNICAL SPECIFICATION

Installation	(Indoor), (Outdoor)
Material	Fan casings: Galvanised sheet Steel Impeller: Die cast aluminium
Airflow	1500 m ³ /h
Capacity (Max. Airflow m ³ /h)	1750 m ³ /h
Ambient temperature range	-20 to +40 C
Operating temperature	Max 60 C
Frequency	50 Hz
No. of phases	3
Weight	17 kg
Power	0.9 kW
Sound Level	61 dB(A) at 1200 m ³ /h

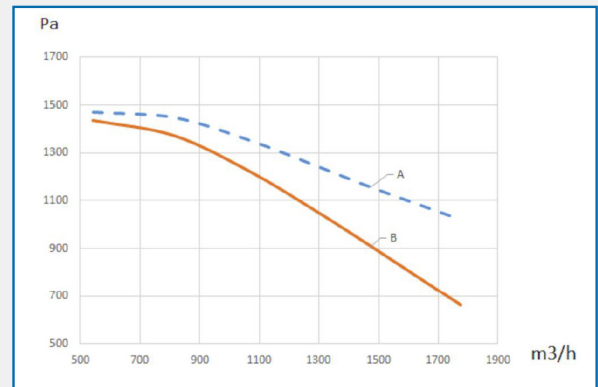
DESCRIPTION

Nederman Fan N24 is a centrifugal fan designed for use with extraction products. The fan can also be mounted on a stand which is available as an accessory.

DIMENSIONS GRAPH



PRESSURE DROP GRAPH



A = Fan total pressure
B = Fan static pressure

PART CODES

Description	Amperage (A)	Model
N24 Fan - 3 ph.	3.3/1.9	14510422
N24 Fan - 3 ph.	3.8	14511522
N24 Fan - 3 ph.	3.8	14513522

AES OFFER INSTALLATION AND SERVICE SUPPORT FOR ALL EQUIPMENT

NEDERMAN FAN N 24 - THREE PHASE

ACCESSORIES

Manual fan control. 1 - 5 A, 3 phase.	14518637
Automatic fan control. 1 - 5 A, 3 phase.	14519037
Adaptor Ø125/Ø1000 mm	14341077
Adaptor Ø125/Ø75 mm	14341080
Adaptor Ø160/ext. Ø75 mm	14510426
Adaptor Ø160/ext. Ø100 mm	14510526
Adaptor Ø160/ ext. Ø100 mm	14510626
Adaptor Ø160/Ø100 mm	14511226
Inlet adaptor for hose Ø160 mm	14510326
Inlet and outlet adaptor for hose Ø160 mm	14322166
Guard net (1 pcs)	14333181
PVC hose. Ø125mm. l=5m	10500427
PVC-hose. Ø125mm. l=5m	10500527
PVC-hose. Ø150mm. l=5m	10500627
PVC-hose. Ø160mm. l=5m	10511026
Coupling tube Ø75mm	14503626
Coupling tube Ø100mm	14504626
Coupling tube Ø125mm	14505626
Coupling tube Ø150mm	14506626
Coupling tube Ø160mm	14511326
Nozzle with magnet. 250 x 30 mm. Hose connection Ø100 mm.	14500226
Nozzle with magnet. 260 x 1000 mm. Polycarbonate. Hose connection Ø100 mm.	14501226
Silencer for when mounted on Original or Telescopic extraction arm	14502126
Silencer for fan	14502626
Silencer including quick release	14502226
Wall bracket for silencer	14343089
Split inlet Ø125 int./ 2xØ100 mm ext.	14500526
Split inlet Ø125 int./ 2xØ100 mm ext.	14500726
Split inlet Ø160 int. / 2xØ100 mm ext.	14510726
Split inlet Ø125 int. / 2xØ100 mm ext.	14500826
Support bracket for N10/N16/N24/N27 for fixed mounting. Incl guard net and inlet connection.	14510126
Support bracket for portable N16 and N24 fan	14511426
FMS 1.6 - 2.5	14502237

AES OFFER INSTALLATION AND SERVICE SUPPORT FOR ALL EQUIPMENT