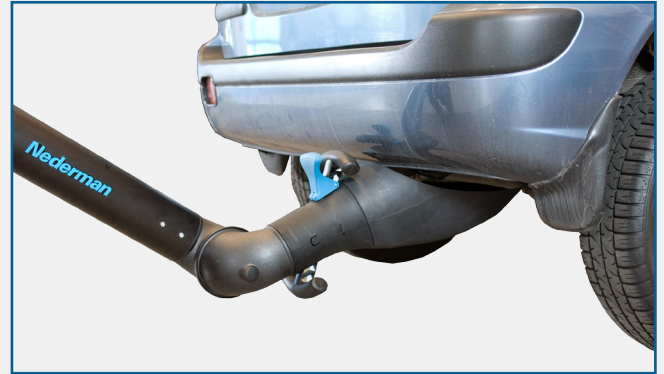


NEDERMAN TOUCHLESS EXHAUST EXTRACTION SYSTEM



TOUCHLESS EXHAUST SYSTEM

The touchless exhaust extraction system eliminates the possibility of scratching expensive chrome exhaust tips by not entering the exhaust, instead cupping the outside of the system.



DESCRIPTION

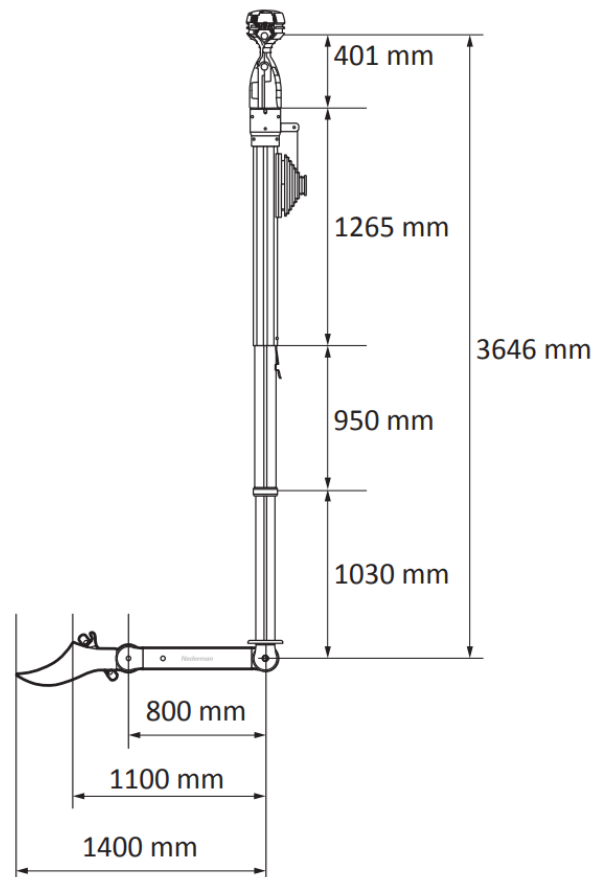
Easy to handle systems for all types of cars. Consists of a basic rail system which is completed with an touchless extraction unit.

Very high extraction efficiency. One extraction unit can serve several work bays. Extraction units are easy to move, thanks to light-weight material and ball bearing wheels.

Designed to minimize risk of damaging the car. Two units serve cars with twin exhaust pipes.

TECHNICAL SPECIFICATION

| | |
|------------------------|----------------|
| Arm Diameter | Ø100mm |
| Arm Construction | Aluminium |
| Hood Construction | EPDM |
| Temperature Resistance | 150 °C (302°F) |
| Weight | 37kg |



PART CODE/ORDERING TABLE

| | |
|--|----------|
| Nederman Touchless Exhaust Extraction System | 20808064 |
|--|----------|

AES OFFER INSTALLATION AND SERVICE SUPPORT FOR ALL EQUIPMENT