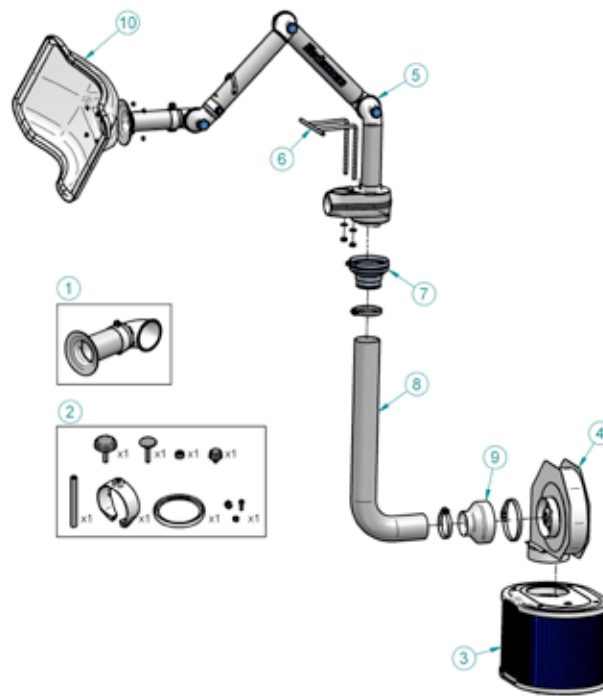


REDUCER



Part Number	Description
70505144	EK 2000 UK 240V

Position No	Description	Spare Part No	Qty
1	Hood attachment kit Ø50 Orig	70374312	1
2	Link assembly kit Ø50 Orig	70374320	1
3	N3 filter standard	70311427	1
4	N3 fan thyristor 240V UK	70800234	1
5	FX Ø50 Orig L1100 Connection down	70510244	1
6	Table connection kit	70501444	1
7	Reduction Kit Ø75-Ø80	70500744	1
8	Hose Ø75 grey 3m	70501544	1
9	Reducer Ø125/75mm white	70345401	1
10	Hood Kit - Combi Orig	70500144	1

AES CAN PROVIDE THE GUIDANCE, DESIGN AND INSTALLATION OF YOUR PROJECT