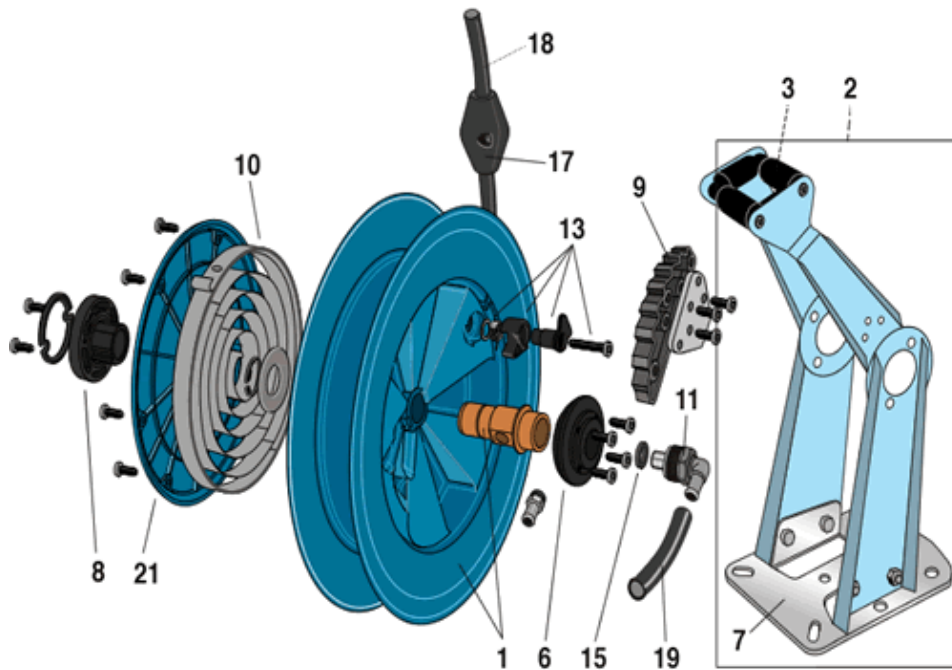


## SUPPLY HOSE



| Part Number | Description                                                                                                                           |
|-------------|---------------------------------------------------------------------------------------------------------------------------------------|
| 30801088    | Hose reel Series 888 for water with 10m 1/2" food grade hose. Max. working pressure 2,0MPa. Space blue stand and blue drum. Nederman. |

| Position No | Description                      | Spare Part No | Qty |
|-------------|----------------------------------|---------------|-----|
| 3           | Outlet complete                  | 30371467      | 1   |
| 6           | Bearing                          | 30372460      | 1   |
| 8           | Spring hub                       | 30372419      | 1   |
| 9           | Ratchet cam                      | 30372433      | 1   |
| 10          | Spring                           | 30372415      | 1   |
| 11          | Swivel mt 1/2"                   | 30343712      | 1   |
| 13          | Ratchet device                   | 30372418      | 1   |
| 15          | Gasket standard                  | 30361982      | 1   |
| 17          | Hosestop 1/2" HP                 | 30344963      | 1   |
| 18          | Hose lp. 1/2" "food quality" 10m | 30371537      | 1   |
| 19          | Hose 1/2" Food Grade 1M intake   | 30373670      | 1   |

AES CAN PROVIDE THE GUIDANCE, DESIGN AND INSTALLATION OF YOUR PROJECT