

SCHUKO SAT SANDING TABLE



DESCRIPTION

The SAT sanding table is a well-designed workstation for all sanding tasks. The rear wall can be folded down to accommodate bulky workpieces. Additional vacuum clamps fix all workpieces for safe and easy machining. Upon request, the SAT extraction table can also be supplied as a mobile system on wheels.

With the integrated suction function, chips and dust are collected uniformly over the entire table surface through the dust extraction holes. The filtered air is conveyed back into the workshop according to the recirculation principle without creating draughts. The felt-lined work surface is extremely resistant and can even withstand point loads (75 kg per 400 cm²). In the standard version the SAT series is equipped with a manual filter bag cleaning system – ideal for fine sanding of wood.

For machining filler or pigmented coatings we recommend use of the SATp series with pneumatic filter regeneration.

The extracted chip and dust material is collected in two dust collection trays. Following loosening of the star screws the trays can be pulled out, removed and vacuumed out with a dedicated suction device or industrial vacuum cleaner (recommended).

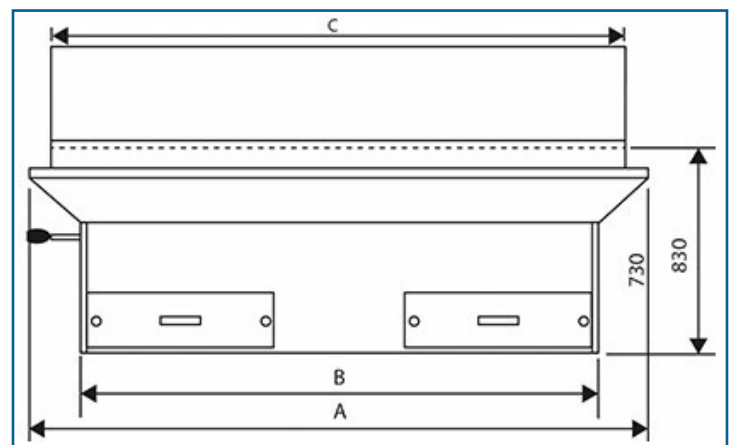
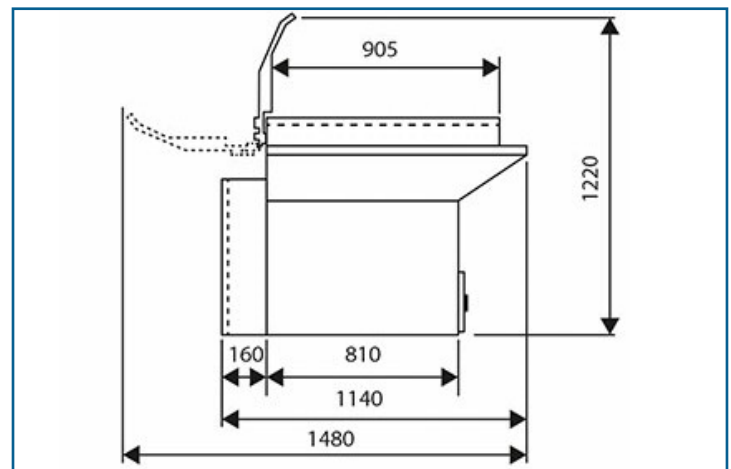
A SAT sanding dust extraction table contributes greatly to reducing the overall dust (threshold limit value) in the workplace and thereby protecting employees' health.

TECHNICAL SPECIFICATION

Model	SAT-S*	SAT-L*	SATp-S**	SATp-L**
Art. no.	532200	532300	532400	532600
Length A (mm)	2,100	2,710	2,100	2,710
Length B (mm)	1,770	2,370	1,770	2,370
Filter surface area (m ²)	4.4	5.6	17.6	21.6
Motor (kW)	1.5	1.5	2.2	2.2
Airflow (m ³ /h)	4,300	4,650	4,300	4,500
Weight (kg)	230	290	295	340

* SAT-S and SAT-L with manual cleaning of filter bags

** SATp-S and SATp-L with pneumatic filter regeneration



AES OFFER INSTALLATION AND SERVICE SUPPORT FOR ALL EQUIPMENT

SCHUKO SAT SANDING TABLE

FEATURES

- Low dust level for a safe workplace
- Integrated extraction for standalone installation in the workroom
- Equipped with positioning system for flexible use of the SAT in the workshop
- Can also be operated from a seated position
- Designed for machining small and bulky workpieces
- Workpiece-friendly work surface fitted with resistant, non-twist felt lining that can also withstand point loads
- Accessories for secure fixing of workpieces available
- Low-noise dust extraction (approx. 70 dB(A)) over the entire table area and additional perimeter extraction
- Explosion-proof design of electrical parts inside extraction table (e.g. motor and cable)



INSTALLATION & ITEMS DELIVERED

The SAT extraction table comes preassembled as a single packaging unit. After attaching the rear wall, the mains connector and the air supply (conditioned compressed air, 6 bar) you are ready to use the sanding table.

The electrical connection is made via a 16 CEE plug with built-in motor protection switch and an ON/OFF switch with phase inverter and indicator light (not explosion-proof). The supplied cable is 7.0 m long.



AES OFFER INSTALLATION AND SERVICE SUPPORT FOR ALL EQUIPMENT